

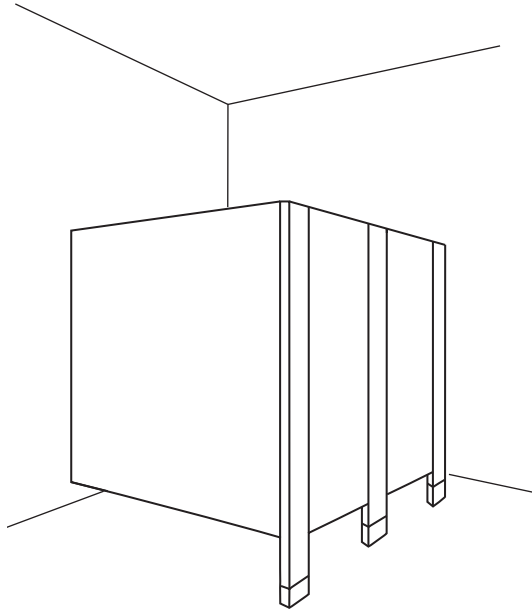
# INSTALLATION INSTRUCTIONS

# MAXIMUM PRIVACY

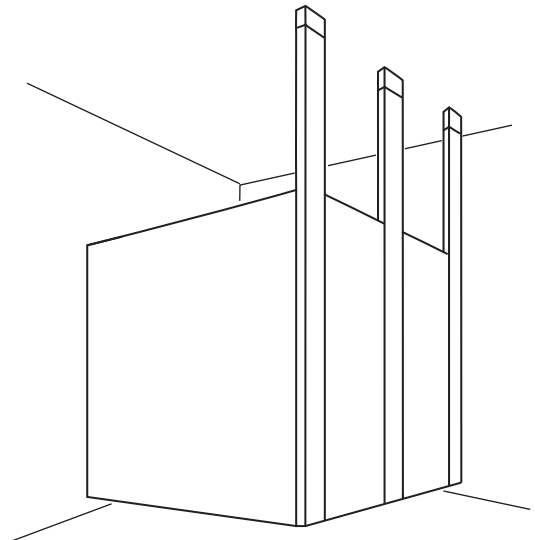
## HIGH PRESSURE LAMINATE (HPL) TOILET PARTITIONS

2040 DesignerSeries™  
Includes Continuous Hardware Option .65

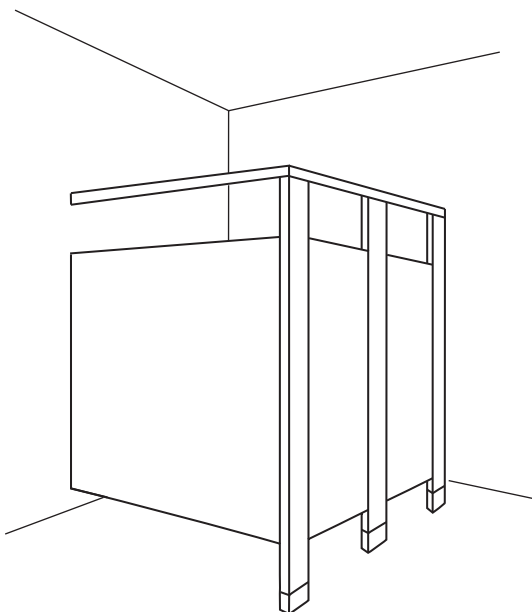
Floor Anchored



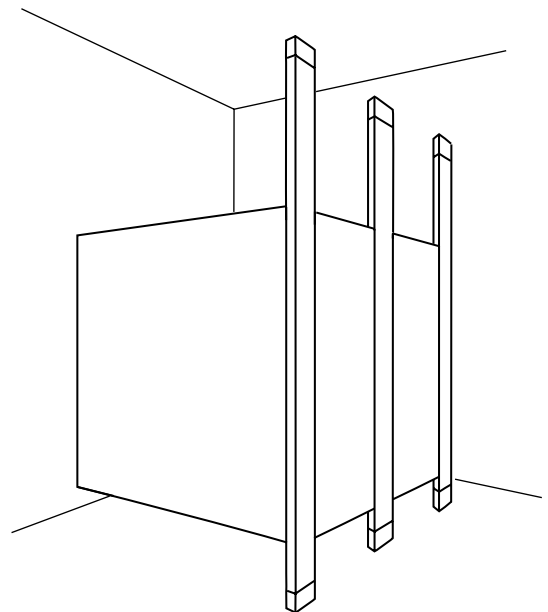
Ceiling Hung



Overhead Braced



Floor-To- Ceiling Anchored



IMPORTANT: Storage and Handling Information on last page.  
Review these instructions thoroughly prior to installation.

# PREPARATION

## PRE-INSTALLATION.

- A. Structural support in walls and floors is not furnished by Bobrick. Confirm that adequate backing is present in wall, ceiling and floors prior to installation.
- B. This installation booklet must be used with the Bobrick layout sheets.
- C. You may verify hardware receipt by cross-referencing the last page of the layout sheets against the box contents.

## INSTALLATION STEPS.


















1. Lay Out All Anchor Locations.....Page 3
2. Install Floor Anchors .....Page 4
3. Install Ceiling Anchors .....Page 5
4. Brackets & Screws .....Pages 6 & 7
5. Install Wall Brackets.....Pages 8 & 9
6. Position Panels.....Pages 10 & 11
7. Install Stile-To-Panel Brackets.....Pages 12 & 13
8. Install Stiles & Set Door Openings .....Page 14
9. Install Headrail (if applicable) .....Page 15
10. Install Inswing Doors .....Pages 16 & 17
11. Install Outswing Doors.....Pages 18 & 19
12. Install Wall Mounted Keeper (if applicable).....Page 20
13. Install Occupancy Latch & Keeper (if applicable).....Page 21 & 22
14. Install Shoes .....Page 23
15. Install Support Bracket (if applicable).....Page 24
16. Finishing and Cleanup.....Page 24



- A. Organize components with appropriate hardware.
- B. When calculating distances to centerlines, all panels, stiles, and doors are 1" (25mm) thick.
- C. Look for panel-to-stile offsets indicated on the layout sheets.
- D. Drilling into the steel core stile requires a larger pilot hole to avoid screw heads popping off; see pilot hole sizes on page 3.
- E. Keepers are not drilled to allow easier stile leveling.
- F. Doors are not pre-drilled for clothes hooks.
- G. Remove debris from all drilled holes.

## RECOMMENDED TOOLS.

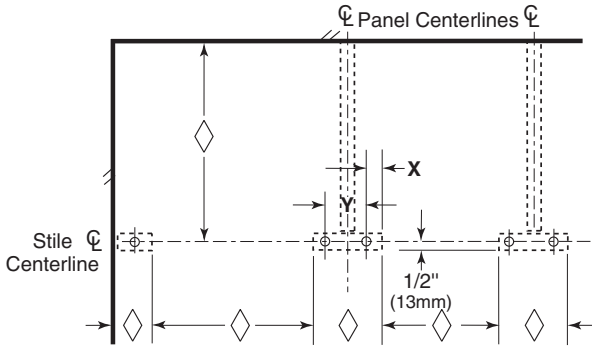
CAUTION: Be sure to use proper safety gear.

1.  Chalk Line
2.  Self Leveling Laser Device
3.  Masking Tape (for laying out holes on floors/walls/ceilings to be drilled)
4.  Tape Measure and Pencils
5.  Center Punch
6.  Electric and/or Battery-Powered Drill
7.  Drill Bits  
#19 (.166") M4.2  
3/16" (4.7mm)  
3/8" (9.5mm) for Concrete/Masonry  
7/16" (11mm)
8.  Screwdrivers/Screwdriver Bits flathead and phillips, #2 and #3
9.  Pin-Head Torx Screw Driver - (to install door hardware) - Supplied by Bobrick
10.  Shims
11.  Adjustable Supports  
1-1/2" to 12" (40-105mm)
12.  Level
13.  Wrench - adjustable or 9/16" (14mm) open end (2 reqd. for adjusting hex nuts on anchors)
14.  Allen Wrench - 5/64" (2mm) (to install door latch)—Supplied by Bobrick.
15.  Hack Saw
16.  Hammer
17.  Safety Glasses

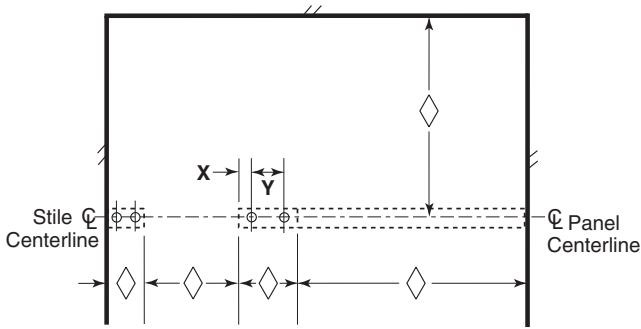
# STEP 1 LAY OUT ALL ANCHOR LOCATIONS

## LAYOUT EXAMPLES.

**Fig. 1a: Floor-Anchored or Ceiling-Hung Front-Entry Corner Layout.**



**Fig. 1b: Overhead-Braced Alcove Closed Layout.**



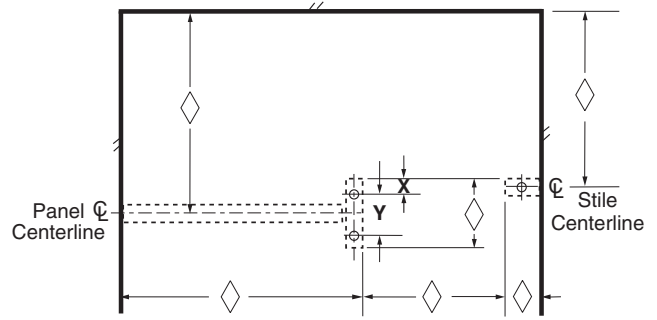
NOTE: The stiles are in-line with panel.

X Dim. = Stile Edge to Centerline of Mounting Hole. Y Dim. = Centerline-to-Centerline of Mounting Hole.

- Refer to Bobrick layout sheets for component locations on your specific application.
- From back wall, measure and mark the location of the stile centerline. Stile centerline = 1/2" (13mm) + panel length + gaps specified on layout sheets.
- From side wall and center of stile location, measure dimensions for floor or ceiling anchors according to layout sheet. Refer to the drilling table for center-to-center distances between anchors. For example: Centerline of floor anchor from edge of stile is 5/8" (16mm); dimension on 3" (8cm) stile is 1-1/2" (38mm).

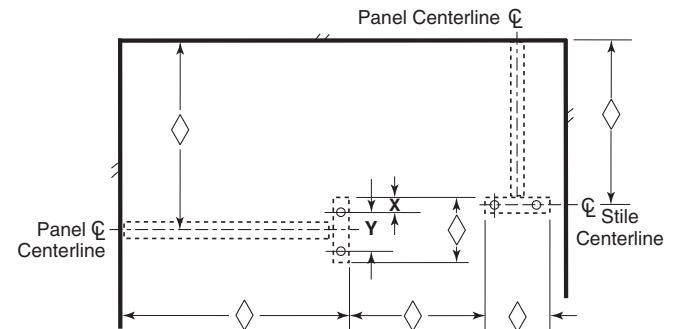
LEGEND: Obtain Dimension from Bobrick Layout Sheet.

**Fig. 1c: Floor-Anchored or Ceiling-Hung Alcove Closed Layout. Inswing Door**



NOTE: The center stile is perpendicular to panel.

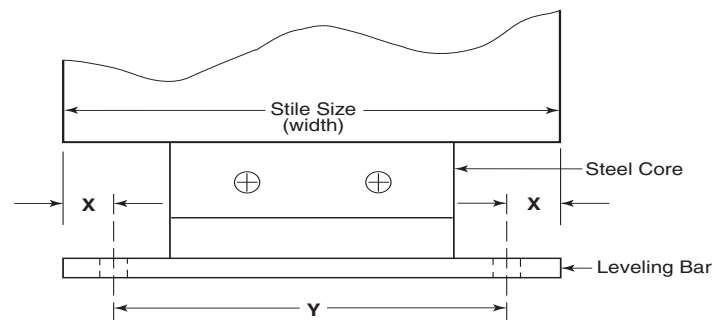
**Fig. 1d: Floor-Anchored or Ceiling-Hung Alcove Closed Layout. Outswing Door**



NOTE: The center stile is perpendicular to panel.

DRILLING TABLE FOR DRILLING FLOOR OR CEILING ANCHORS			
Stile Size (width)	No. of Holes	X Dim.	Y Dim.
3" (8cm)	1	1 1/2" (38mm)	—
4" (10cm)	2	5/8" (16mm)	2 3/4" (7cm)
5" (13cm)	2	5/8" (16mm)	3 3/4" (10cm)
6" (15cm)	2	5/8" (16mm)	4 3/4" (12cm)
7" (18cm)	2	5/8" (16mm)	5 3/4" (16cm)
8" (20cm)	2	5/8" (16mm)	6 3/4" (17cm)
10" (25cm)	2	5/8" (16mm)	8 3/4" (22cm)
12" (30cm)	2	5/8" (16mm)	10 3/4" (27cm)
16" (41cm)	2	5/8" (16mm)	14 3/4" (38cm)
18" (46cm)	2	5/8" (16mm)	16 3/4" (43cm)
20" (51cm)	2	5/8" (16mm)	18 3/4" (48cm)
24" (61cm)	2	5/8" (16mm)	22 3/4" (58cm)

**Fig. 1e: Detail of Typical Stile**



NOTE: 16", 18", 20", 24" (41, 46, 51, 61cm) stiles have 2 leveling bars. Use the 2 outside slots for the 2 anchors.

## STEP 2 INSTALL FLOOR ANCHORS

Fig. 2a: Finished Detail of Floor Anchor.

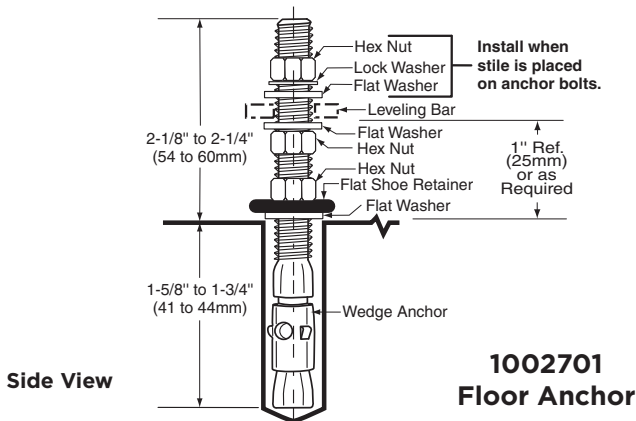
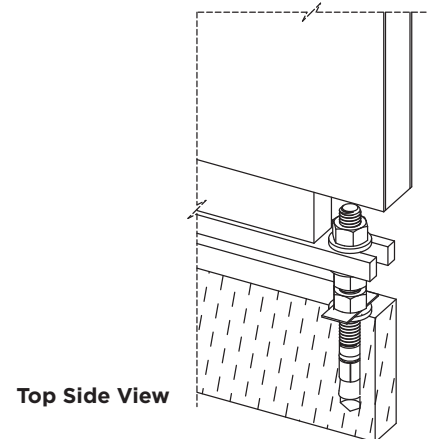


Fig. 2b: Floor Anchor Attached to Stile. (3-Dimensional View)



Parts Needed:

- 1002701 Floor Anchor Packet (includes: 3 Hex Nuts, 3 Flat Washers, Wedge Anchor, Lock Washer, Flat Shoe Retainer)

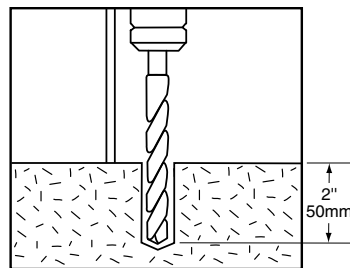
Tools Needed:

- Hammer
- Drill
- 3/8" (9.5mm) Concrete/Masonry Bit
- Wrench (Adjustable or 9/16" open end)

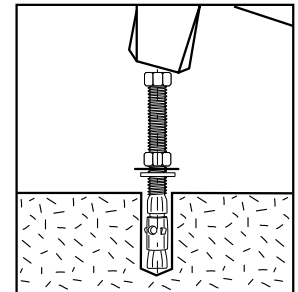
Hints/Notes:

- 3/8" x 2" (M9.5 x 50mm) hole needed to install 1002701 Floor Anchor. Use concrete/masonry drill bit.
- Floor Anchors for wood floors are available upon request.

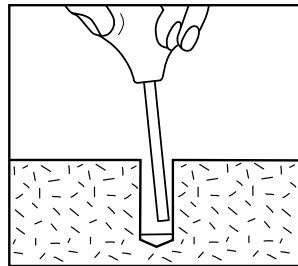
- A. Drill a 3/8" (9.5mm) hole to 2" (50mm) minimum depth.



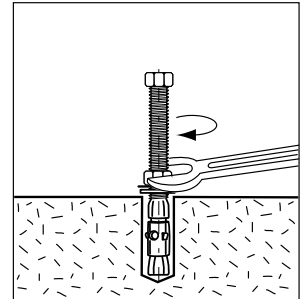
- D. Insert Anchor into hole with threaded end up. Use hammer to drive the Anchor into hole until Flat Washer is flush with concrete surface (depth set in STEP C).



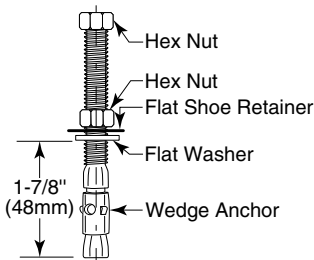
- B. Remove all loose material/debris from hole.



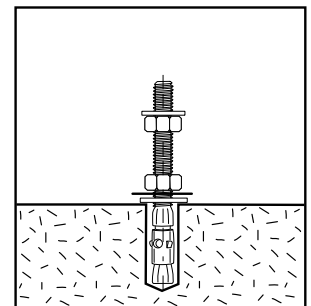
- E. Use Wrench to tighten Hex Nut until anchor is firmly set (2-4 full turns past finger tight position). Anchor bolt will move up approx. 1/16" (1.6mm) for every full turn of Hex Nut.



- C. Add Flat Washer, Flat Shoe Retainer, Hex Nut to Wedge Anchor so that Flat Washer is 1-7/8" (48mm) from the bottom of the anchor to ensure proper installation depth. Thread 2nd Hex Nut loosely to top of Anchor to prevent stripping or damaging threads during installation.



- F. Spin down top Hex Nut. Add Flat Washer.



**NOTE: Do NOT add 3<sup>rd</sup> Hex Nut, Lock Washer, and 3<sup>rd</sup> Flat Washer until stiles are attached to Floor Anchor.**

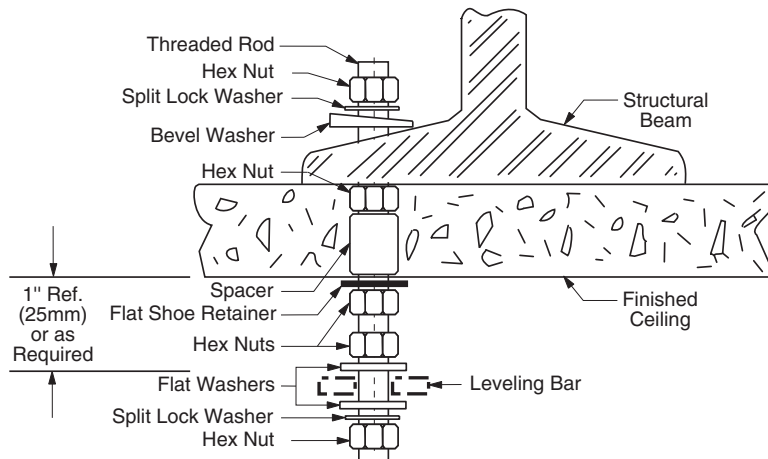
## STEP 2 INSTALL CEILING ANCHORS

### CEILING ANCHORS.

NOTE: Ceiling anchors are to be installed before finished ceiling is applied. All structural framing is to be furnished by others. For Bobrick recommendations, refer to Bobrick Form No. TB-32.

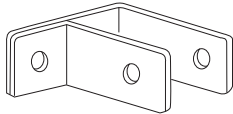
- A. Drill 7/16" (11mm) diameter hole through structural beam. Insert threaded rod through hole in beam. Rod is furnished standard 6" (150mm) length. Longer rods should be purchased locally if required.
- B. Place a bevel washer and lock washer over rod. Screw on one hex nut.
- C. Install second hex nut against bottom of beam and tighten.
- D. Install spacer, shoe retainer, and a third hex nut. Make sure shoe retainer is in proper position to accept shoe (see Fig. 2c or 10a for proper shoe retainer position).
- E. Install remaining flat washers (2), lock washer (1), and hex nuts (2), as shown in Fig. 2c.
- F. Repeat process for each ceiling anchor.

**Fig. 2c: Detail of Ceiling Anchor.**



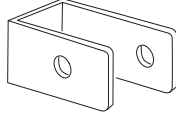
# BRACKETS AND SCREWS

## F-bracket



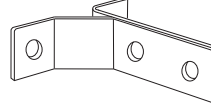
#1000353  
Internal Panel to Wall

## U-bracket



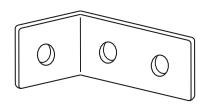
#1000356  
Internal Panel to Stile

## Y-bracket



#1000974  
External Panel or Stile  
to Wall or Panel

## L-bracket



#1000351  
External Panel to Stile



#1002500  
#12 x 3/4" Pin-Head Torx Screw  
(M5.5 x 19mm)  
Panel/Stile Screw



#1002495  
#12 x 2" Pin-Head Torx Screw  
(M5.5 x 50mm)  
Wall Screw

### Pilot Hole Sizes—

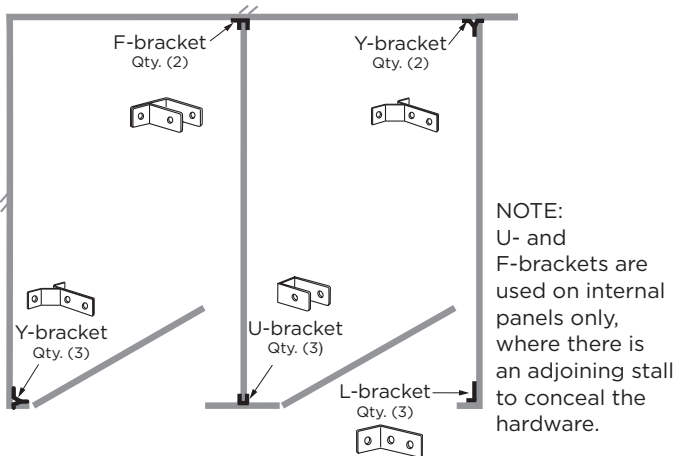
- #19 (.166) x 3/4" (19mm)
- For attachment of brackets to panels.
- Do not through-drill.
- 3/16" x 3/4" (4.7 x 19mm)
- For attachment of U-brackets, L-brackets or Y-brackets to steel-core stiles only.
- Do not through-drill.
- #19 (.166) x 2" (50mm)
- For attachment of all wall brackets to stud backing.

NOTE: Adequate wall backing is required. High-quality drill bit is suggested for drilling into steel-core stiles.

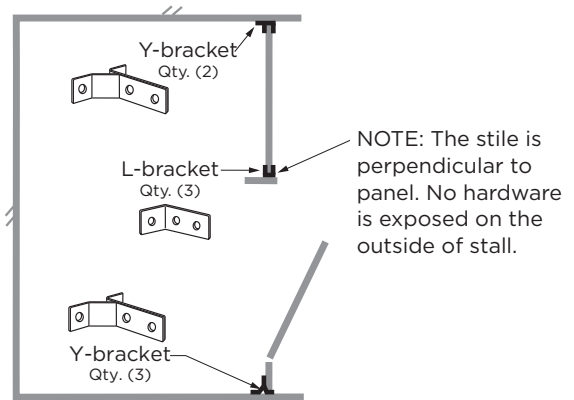
STANDARD HARDWARE

### EXAMPLE BRACKET APPLICATIONS.

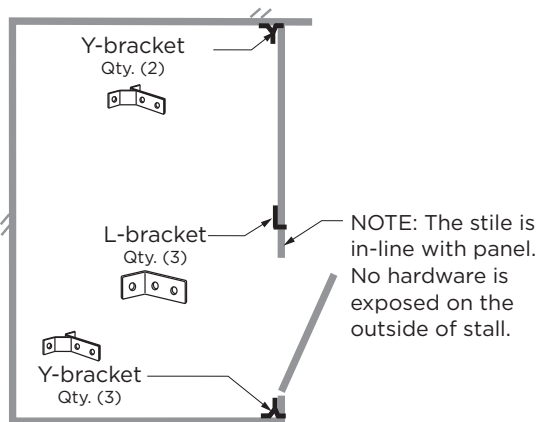
#### Front-Entry Corner Layout.



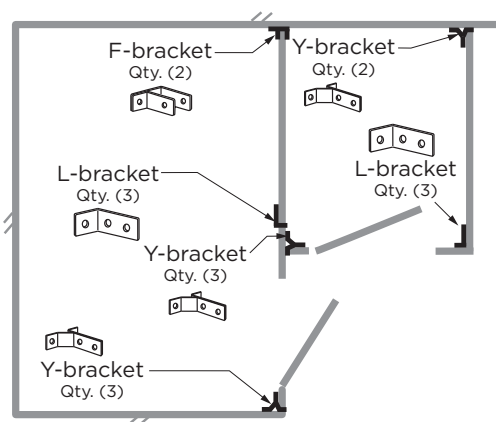
#### Floor-Anchored or Ceiling-Hung Alcove Closed Layout.



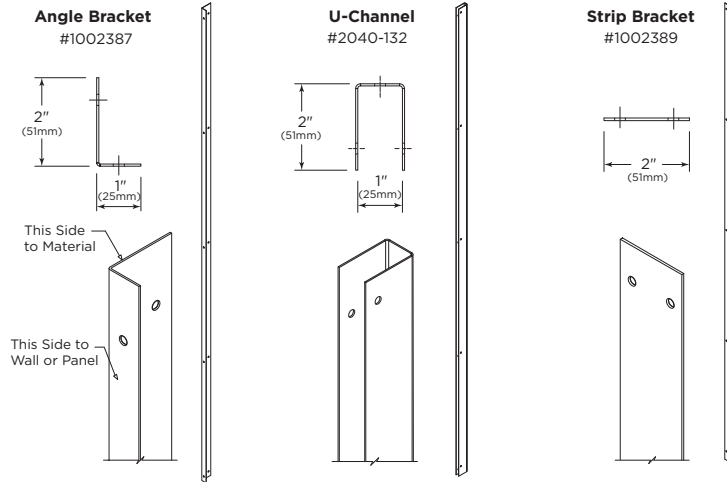
#### Overhead-Braced Alcove Closed Layout.



#### Overhead-Braced Alcove Open Layout and Adjoining Front-Entry Stall.



# BRACKETS AND SCREWS



#1002500  
 #12 x 3/4" Pin-Head Torx Screw  
 (M5.5 x 19mm)  
 Panel/Stile Screw



#1002495  
 #12 x 2" Pin-in-Head Torx Screw  
 (M5.5 x 50mm) Wall Screw

## Pilot Hole Sizes—

- 3/16" x 7/16" (4.7 x 11mm)

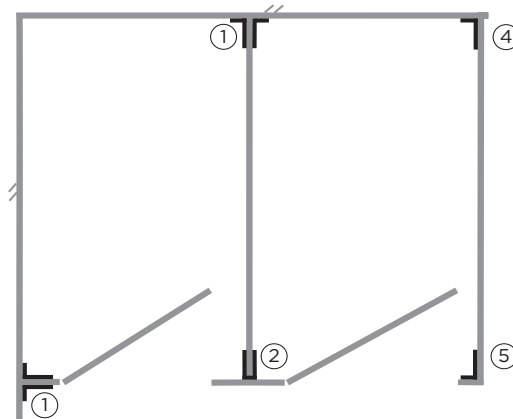
- #19 (.166) x 2" (50mm)

NOTE: Adequate wall backing is required. High-quality drill bit is suggested for drilling into Compact Laminate material.

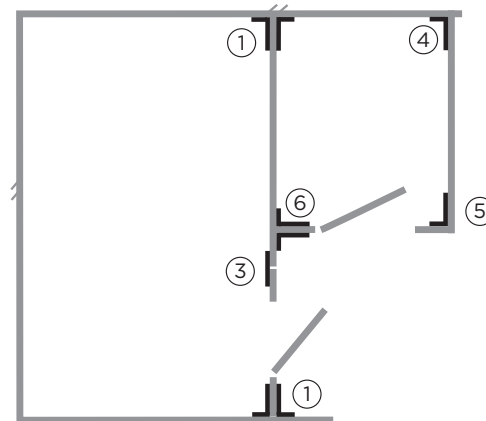
## EXAMPLE BRACKET APPLICATIONS.

- ① 2 — 1002387 Angle Bracket  
 10 — 1002495 Wall Screw  
 10 — 1002500 Panel/Stile Screw
- ② 1 — 2040-132 U-Channel  
 15 — 1002500 Panel Screw
- ③ 1 — 1002389 Strip Bracket  
 10 — 1002500 Stile/Panel Screw
- ④ 1 — 1002387 Angle Bracket  
 5 — 1002500 Stile/Panel Screw  
 5 — 1002495 Wall Screw
- ⑤ 1 — 1002387 Angle Bracket  
 10 — 1002500 Panel Screw
- ⑥ 2 — 1002387 Angle Bracket  
 20 — 1002500 Panel Screw

## Front-Entry Corner Layout.



## Alcove Closed Layout and Adjoining Front-Entry Stall.



OPTIONAL CONTINUOUS HARDWARE

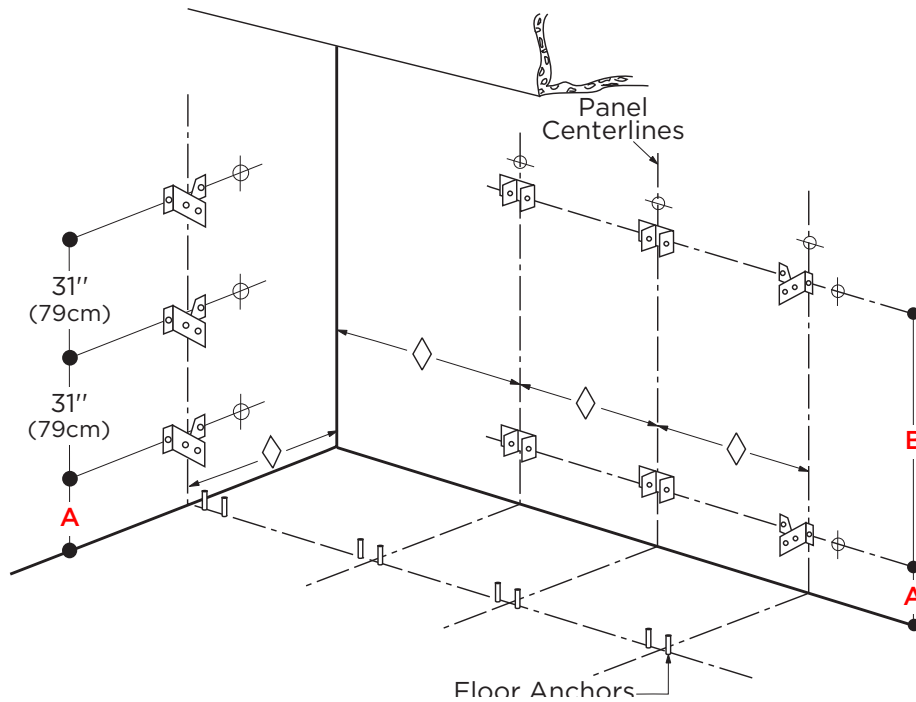
# STEP 3 INSTALL WALL BRACKETS

- A. Measure and mark the locations of centerlines for all the stiles and panels on walls.
- B. Using the wall brackets as templates, measure and mark the location of all mounting holes, plumb according to the floor clearance dimension table and dimensions shown in illustrations Fig. 3a, Fig. 3b, and Fig. 3c.
- C. Use #19 (.166) drill bit for 2" (50mm) deep pilot holes into adequate wall backing.
- D. Secure wall brackets with #1002495 screws.

- ⊕ These mounting points require wall backing.
- ◇ Obtain Dimension from Bobrick Layout Sheet.

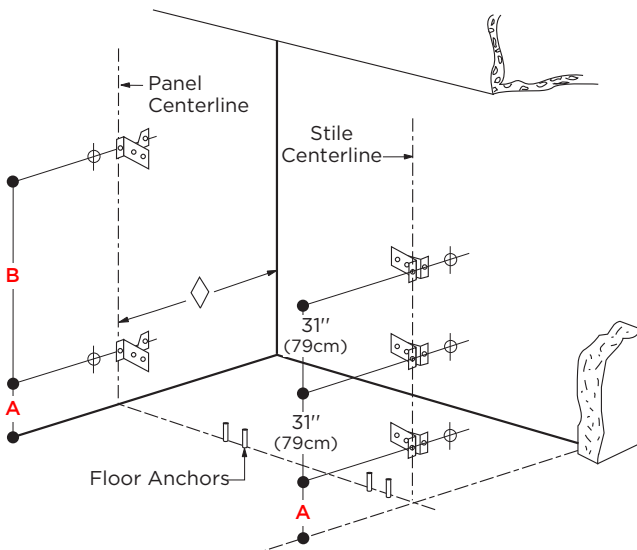
Floor Clearance (FC)	A	B
4-1/2" (11cm) AFF	8" (20cm)	64" (163cm)
9" (23cm) AFF	12-1/2" (32cm)	76-1/2" (194cm)
12" (30cm) AFF	15-1/2" (39cm)	79-1/2" (202cm)

**Fig. 3a: Front-Entry Corner Layout.**

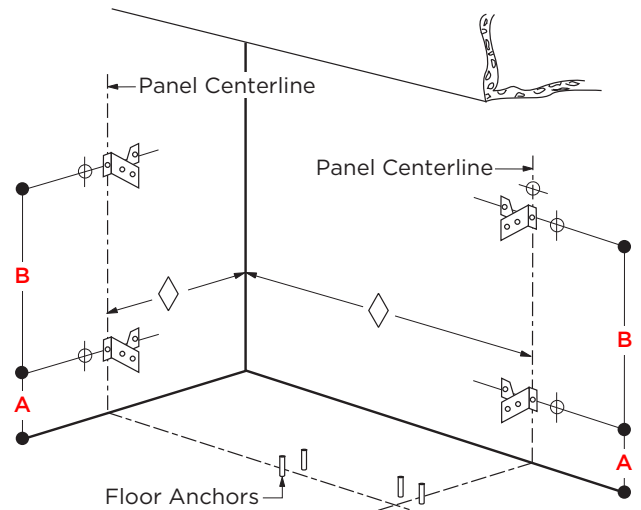


STANDARD HARDWARE

**Fig. 3b: Overhead-Braced Alcove Closed Layout.**



**Fig. 3c: Floor-Anchored or Ceiling-Hung Alcove Open Layout.**





## STEP 3 INSTALL WALL BRACKETS

- Measure and mark the locations of centerlines for all the stiles and panels on walls. Identify the floor clearance shown on the Bobrick Layout Sheet for "C" dimension shown in the table below.
- Using the wall brackets as templates, place bracket "**C**" dimension above finished floor. Measure and mark the location of all mounting holes plumb,  $3/4"$  (19mm) from panel center line;  $7/8"$  (22mm) from stile centerline. (See Fig. 3a and Fig. 3b).

Note: Orient bracket so hole pattern is staggered.

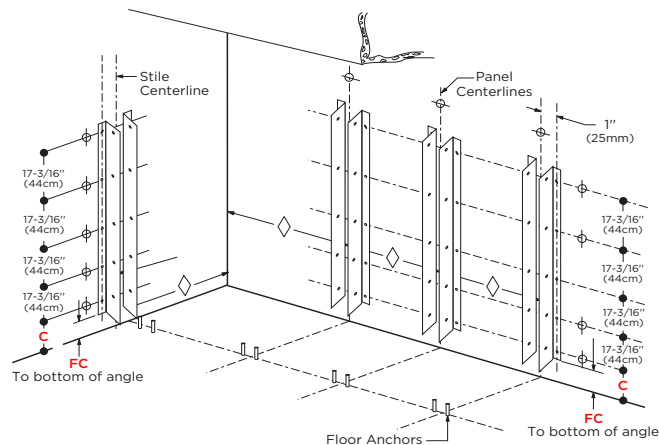
- Use #19 (.166) drill bit for 2" (50mm) deep pilot holes into adequate wall backing.
- Secure wall brackets with #1002495 screws.

⊕ These mounting points require wall backing.

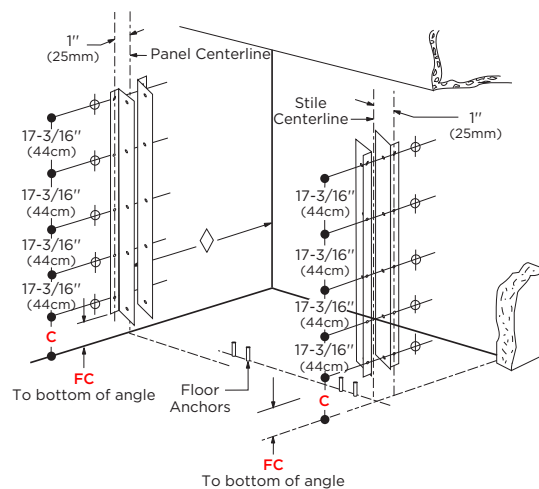
◇ Obtain dimension from Bobrick Layout Sheet

CAUTION: Panel centerline is not always on the stile centerline. Refer to Bobrick Layout Sheets for panel offsets.

**Fig. 3a: Front-Entry Corner Layout**



**Fig. 3b: Overhead-Braced or Floor-to-Ceiling Anchored Alcove Closed Layout.**



OPTIONAL CONTINUOUS HARDWARE

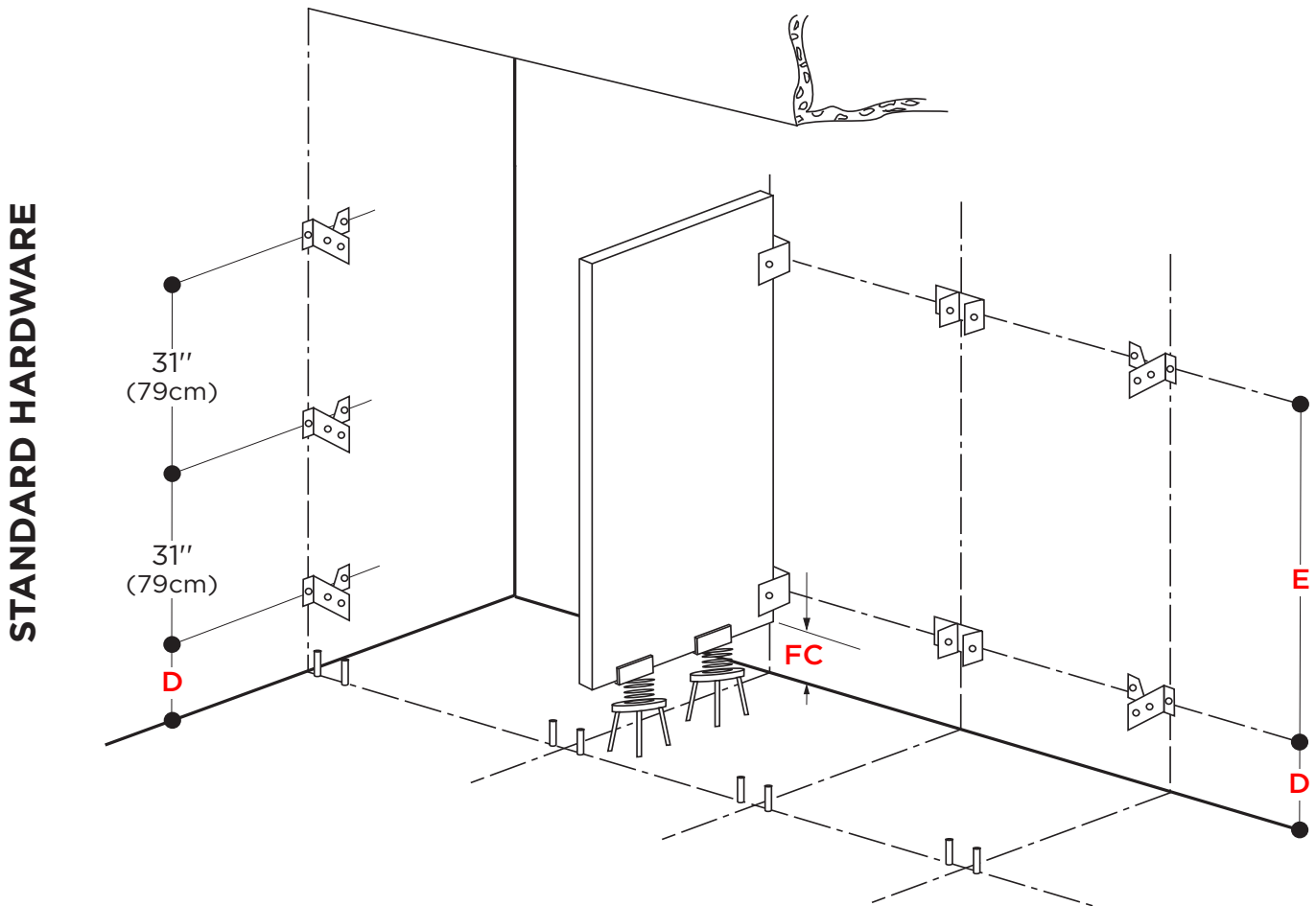
Floor Clearance (FC)	C
4-1/2" (11cm) AFF	5-3/8" (14cm)
9" (23cm) AFF	9-7/8" (25cm)
12" (30cm) AFF	12-7/8" (33cm)

## STEP 4 POSITION PANELS

1. Set the adjustable supports in place and adjust the height to the panel floor clearance.
2. Place panels on the supports and into their respective wall brackets. Do not secure panels to wall brackets at this time.

**Fig. 4: Panel and Adjustable Supports.**

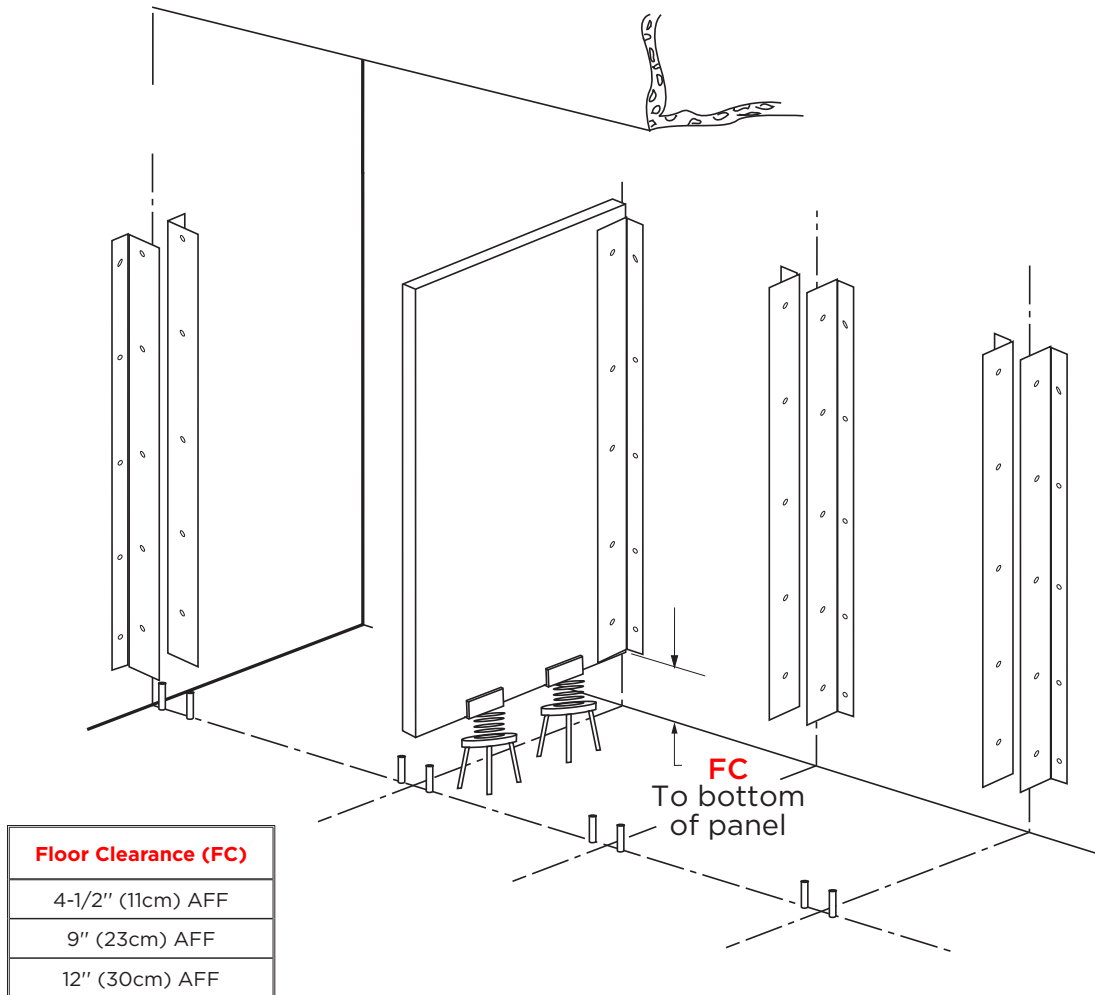
Floor Clearance (FC)	D	E
4-1/2" (11cm) AFF	8" (20cm)	64" (163cm)
9" (23cm) AFF	12-1/2" (32cm)	76-1/2" (194cm)
12" (30cm) AFF	15-1/2" (39cm)	79-1/2" (202cm)



## STEP 4 POSITION PANELS

1. Set the adjustable supports in place and adjust the height to the panel floor clearance.
2. Place panels on the supports and into their respective wall brackets. Do not secure panels to wall brackets at this time.

Fig. 4: Panel and Adjustable Supports.



OPTIONAL CONTINUOUS HARDWARE

## STEP 5 INSTALL STILE-TO-PANEL BRACKETS

CAUTION: Panel centerline is not always on the stile centerline. Refer to Bobrick Layout Sheets for panel offsets.

- Measure and mark the centerlines for three (3) U- or L-brackets per stile.
- Using U- or L-bracket as a template, mark the location of all mounting holes, according to the floor clearance dimension table and dimensions shown in illustrations Fig. 5a and Fig. 5b.
- For U- or L-brackets attached to steel-core stiles, use a 3/16" (5mm) high-quality drill bit for 3/4" (19mm) deep pilot holes. Must drill through steel-core.

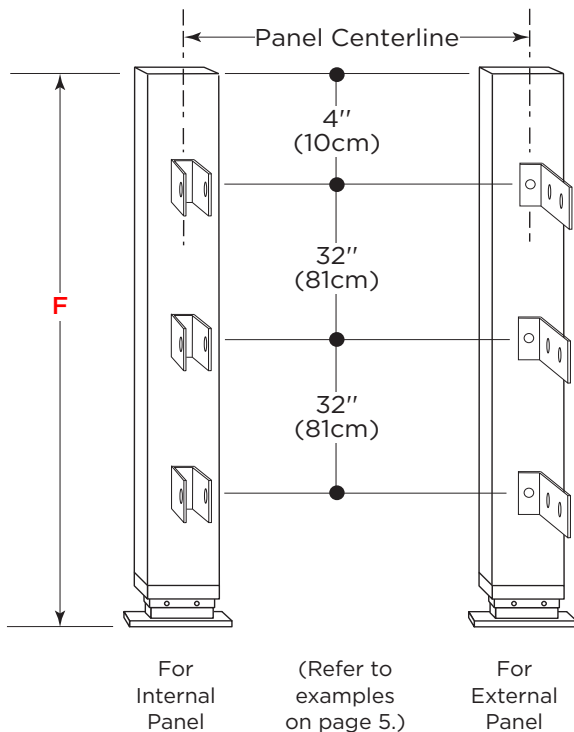
**Caution: Do not drill through the stile**

- For L-brackets attached to the edge of stile, use a #19 (11/64") drill bit (4mm) for 3/4" (19mm) deep pilot holes.
- Secure U- or L-brackets with #1002500 screws.

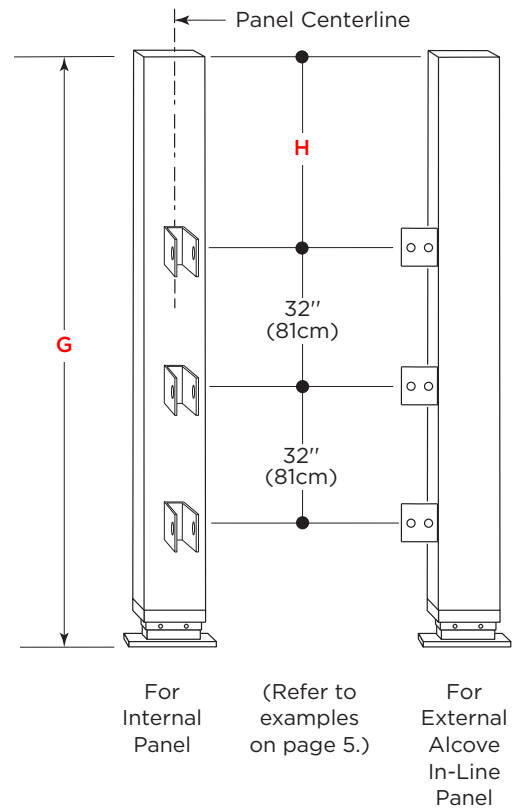
Floor Clearance (FC)	F	G	H
4-1/2" (11cm) AFF	75-1/4" (191cm)	83" (211cm)	12" (30cm)
9" (23cm) AFF	79-3/4" (203cm)	83" (211cm)	7-1/2" (19cm)
12" (30cm) AFF	82-3/4" (210cm)	84-3/4" (215cm)	4-1/2" (11cm)

STANDARD HARDWARE

**Fig. 5a: Floor-Anchored or Ceiling-Hung Bracket Placement.**



**Fig. 5b: Overhead-Braced Bracket Placement.**



## STEP 5 INSTALL STILE-TO-PANEL BRACKETS

CAUTION: Panel centerline is not always on the stile centerline. Refer to Bobrick Layout Sheets for panel offsets.

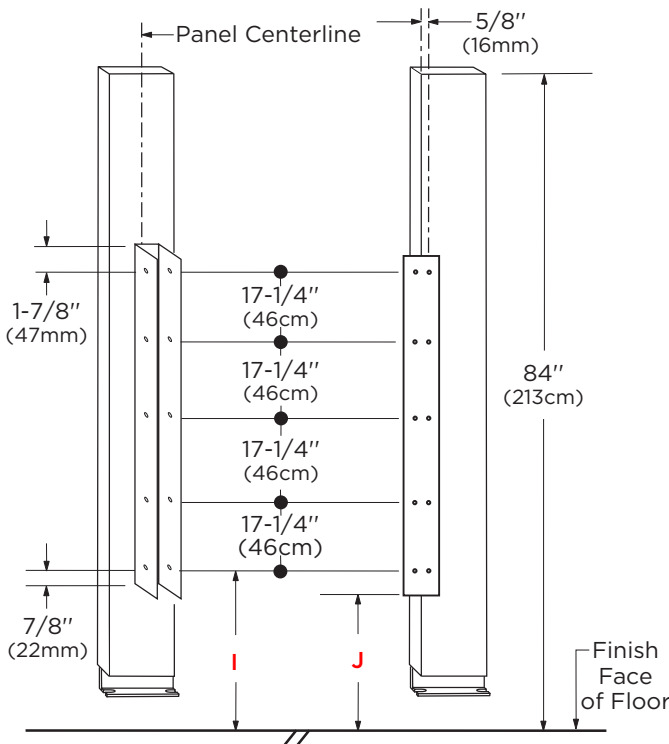
- Measure and mark the centerlines for U-Channel per stile. Using U-Channel as a template, mark the location of all mounting holes, according to the floor clearance dimension table and dimensions shown in illustrations Fig. 5a and Fig. 5b.
- For U-Channel attached to stiles, use a high-quality drill bit for 3/16" (5mm) x 3/4" (19mm) deep pilot holes. Secure U-Channel to stile with #1002500 screws.
- For strip bracket, mark the location of all mounting holes 5/8" (16mm) from edge of stile following locations shown in diagram. Fig. 5a and the floor clearance dimension table.
- Use a high-quality drill bit for 3/16" (5mm) x 3/4" (19mm) deep pilot hole in stile and panel. Secure strip bracket to panel and stile with #1002500 screws. Do Not Drill Through.

⊕ These mounting points require adequate backing.

Floor Clearance (FC)	I	J
4-1/2" (11cm) AFF	5-9/16" (14cm)	4-11/16" (12cm)
9" (23cm) AFF	10-1/16" (26cm)	9-3/16" (23cm)
12" (30cm) AFF	13-1/16" (33cm)	12-3/16" (31cm)

Fig. 5a: Overhead-Braced Stiles.

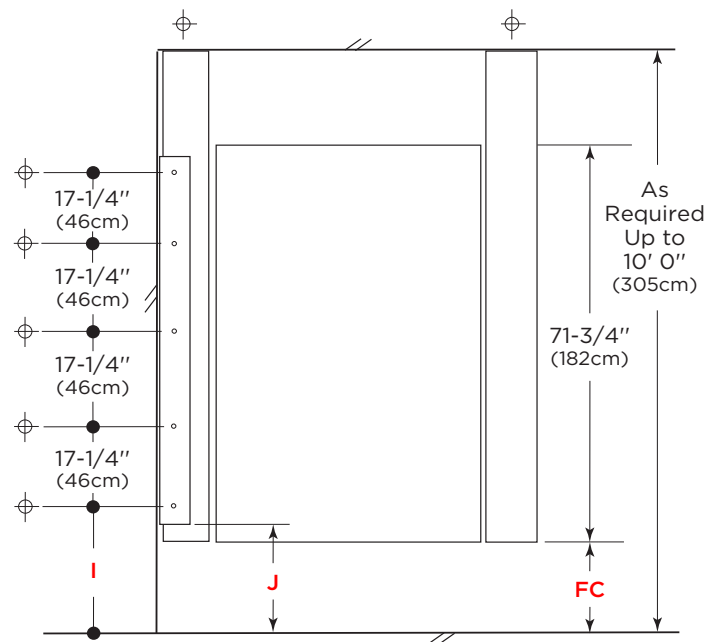
Fig. 5b: Ceiling Anchored.



For Internal Panel

(Refer to examples on page 6.)

For Internal Alcove In-Line Panel

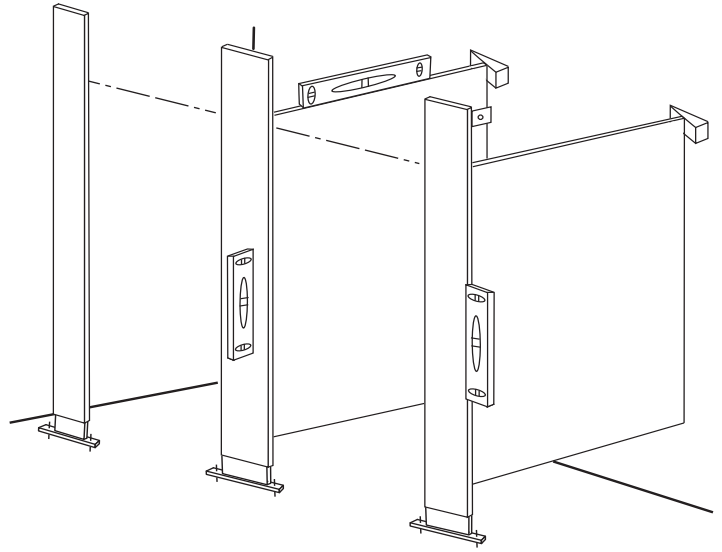


OPTIONAL CONTINUOUS HARDWARE

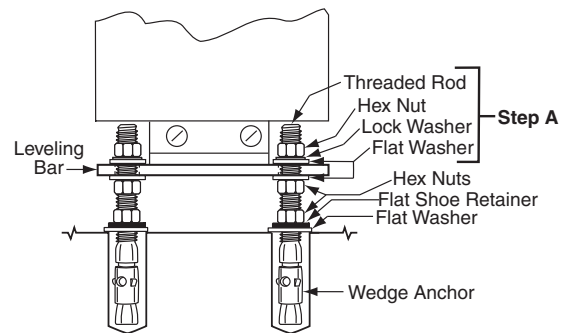
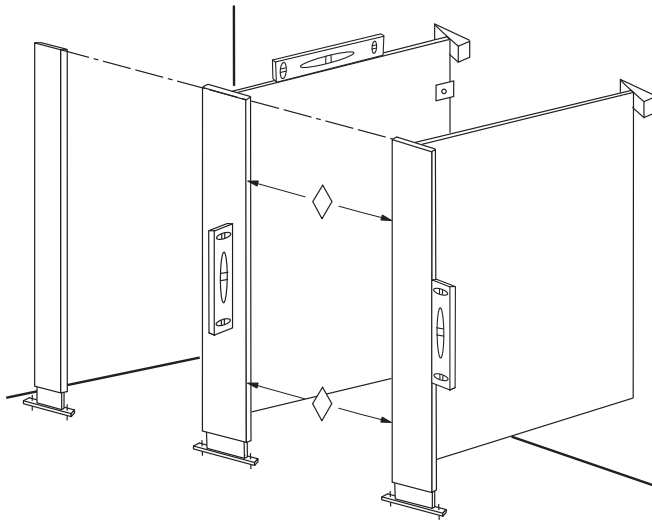
## STEP 6 INSTALL STILES AND SET DOOR OPENINGS

- Place the stiles onto the threaded rods of anchors. Add a flat washer, lock washer, and a third hex nut to each threaded rod of floor anchors (these should already be in place on ceiling anchors—refer back to Fig. 2b). Do not tighten hex nuts at this time.
- Ensure edge of panel is touching screw heads in brackets on stiles. Using brackets as templates, drill #19 (.166) x 3/4" (19mm) pilot holes in panel.
- Fasten brackets to panels with #1002500 screws.
- Use level to plumb stiles. Place shims between panels and wall.
- Set door openings to be square, plumb and true per Bobrick Layout Sheet.
- Tighten hex nuts on stile anchoring system.
- Secure panels to wall brackets using #1002500 screws.

**Fig. 6a: Overhead Braced Installation.**

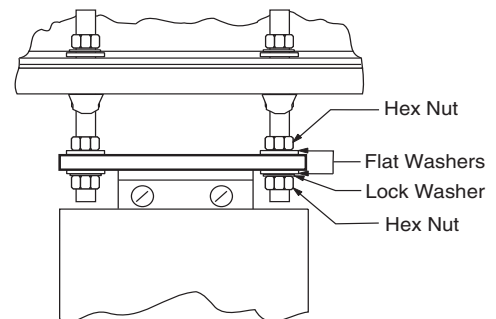
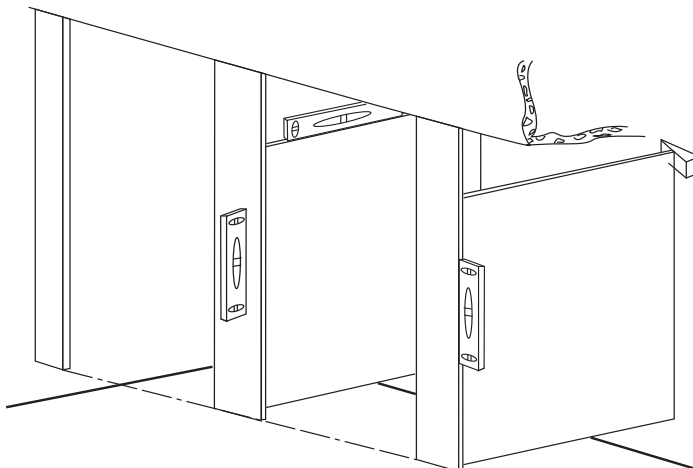


**Fig. 6b: Floor-Anchored Installation.**



**Fig. 6c: Ceiling-Hung Installation.**

◇ Obtain Dimension from Bobrick Layout Sheet.



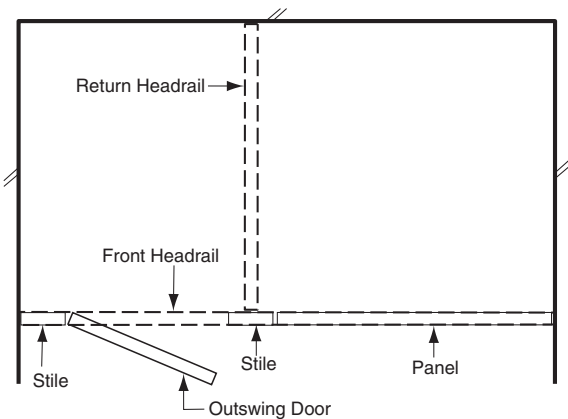
## STEP 7 INSTALL HEADRAIL (IF APPLICABLE)

Note: Bobrick provides headrail in 84" (213cm) part #1002380 long sections. Headrail seams must be located over stiles.

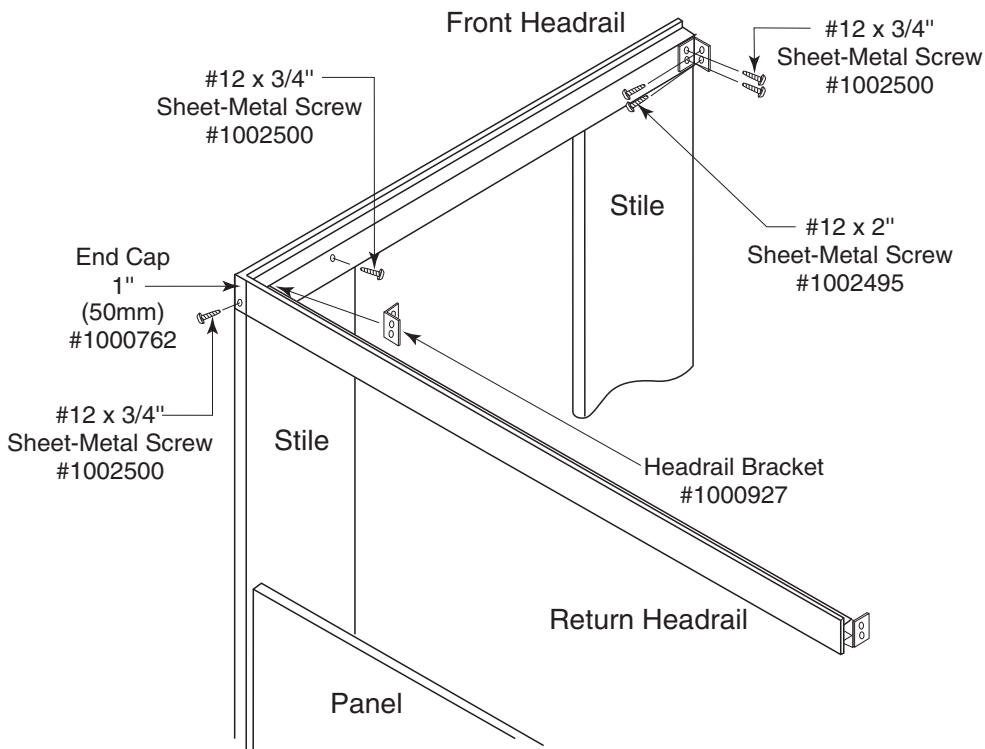
- Measure wall-to-wall dimension less 1/4" (6mm). If it is a corner application, measure from wall to outside edge of stile less 1/8" (3mm).
- Place headrail over stile.
- For corner and alcove layouts, cut return headrail. Measure from the inside edge of front headrail to the back wall (See Fig. 7a and 7b).
- Using the #1000927 headrail bracket as a template, mark the location for mounting holes in walls and headrails.
- Drill #19 (.166) x 3/4" (19mm) pilot holes into front headrail and stiles; then, at wall locations, drill #19 (.166) x 2" (50mm) pilot holes into adequate wall backing.
- Fasten headrail bracket #1000927 to front headrail with #1002500 screws and to wall with #1002495 screws.
- Connect the return headrail to front headrail with headrail bracket #1000927 and four (4) #1002500 screws.

- For corner layouts, install #1000762 end cap to finish the corner. Using the end cap as a template, mark and drill pilot hole then, secure end cap with one (1) #1002500 screw.
- Fasten front headrail to stile by drilling pilot hole, then secure front headrail to stile with one (1) #1002500 screw.

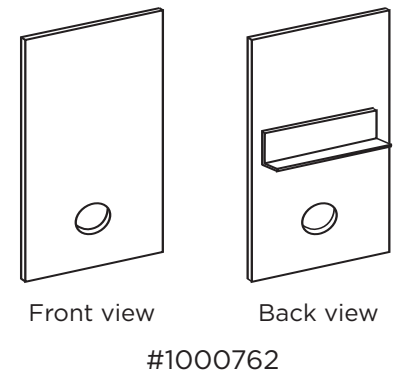
**Fig. 7a: Alcove Configuration.**



**Fig. 7b: Headrail Installation Hardware. Corner Configuration.**

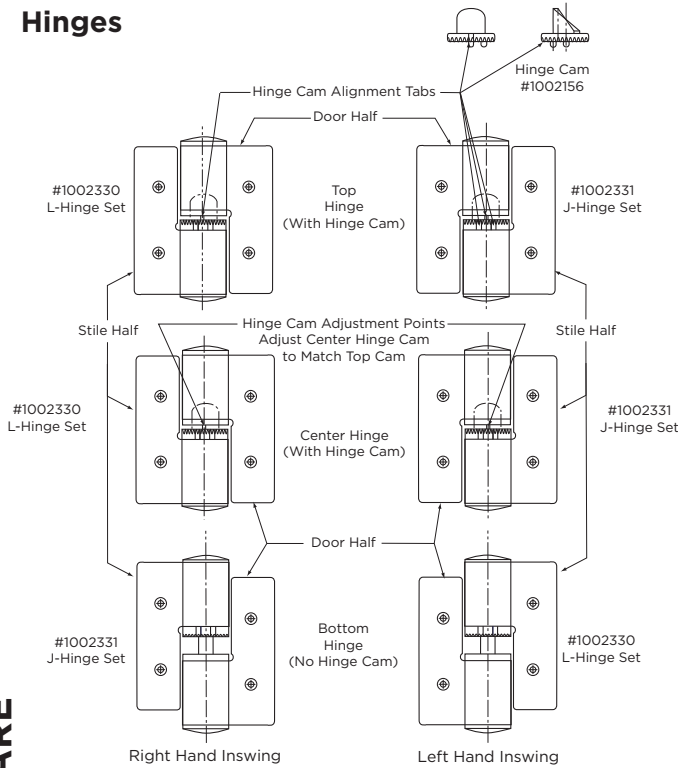


**Fig. 7c: Detail of End Cap.**



# STEP 8 INSTALL INSWING DOORS

## Hinges



#1002494  
1/4-20 x 3/4" (19mm)  
Pin-in-Head Torx Screw

## DOOR HARDWARE INSTALLATION.

### Hinge.

- Using hinge diagram at left, identify the (2) upper and (1) lower hinge set for right hand or left hand installation. Locate hinge cam #1002156 for upper hinges.
- Separate hinge sets and fasten the (3) halves that have plastic bushings with "teeth" and cam alignment tabs onto stile using driver and #1002494 (1/4-20 x 3/4") screws. Refer to diagram to ensure "J" and "L" halves are located properly.
- Fasten (2) upper hinge halves to door.
- Insert (1) hinge pin and (1) #1002156 hinge cam on each of the (2) upper stile hinge halves.
- Lift door and position onto (2) upper stile hinge halves. Door should be hanging securely on upper (2) hinges.
- Insert remaining hinge pin in lower door and mount hinge half to door.

### Latch, Keeper, and Clothes Hook.

- Attach the latch track to the door using T-25 torx driver for latch screws. **NOTE: Latch track projects past edge of door and acts as doorstep.**
- Slide the stainless steel latch into the grooves on latch track. Center the latch on track. Insert a setscrew into the threaded hole in the bottom of track and tighten until flush with the bottom of latch.
- Attach the keeper (see Fig. 8a and 8b) and clothes hook using driver and #1002500 screws.

### To Increase or Decrease Opening of Door.

- When the cam has been set at the desired free resting position, "either closed or open" the top of the affixed components will be aligned.

**Tip - Industry tolerance in the hardware will sometimes allow fine alignment adjustments to some partition components. These fine adjustments may be performed by loosening the hardware screws and adjusting the components the direction needed and retightening the screws.**

- Alignment tabs have been formed into the cam and plastic hinge bushing.
- Lift door to limit of upward travel (approximately 1/2"). While door is lifted, raise cam above bottom bushing and rotate so alignment tabs meet. Ensure both upper hinges are set to same alignment tab.
- To set door in open position, rotate cams toward door opening direction.
- To set door in closed position, rotate cams toward door closing direction.
- Door may not function properly if cam and bushing tabs on both hinges are not aligned properly.

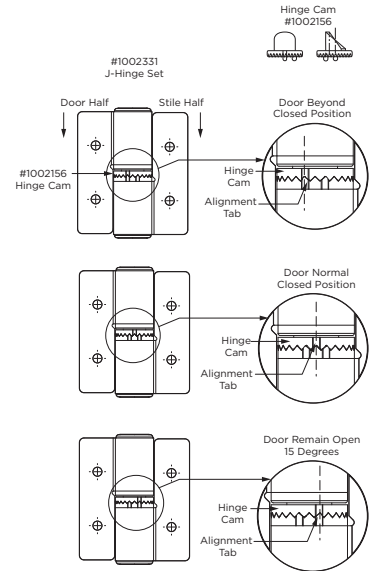


Fig. 8a: Right-Hand Inswing Door.

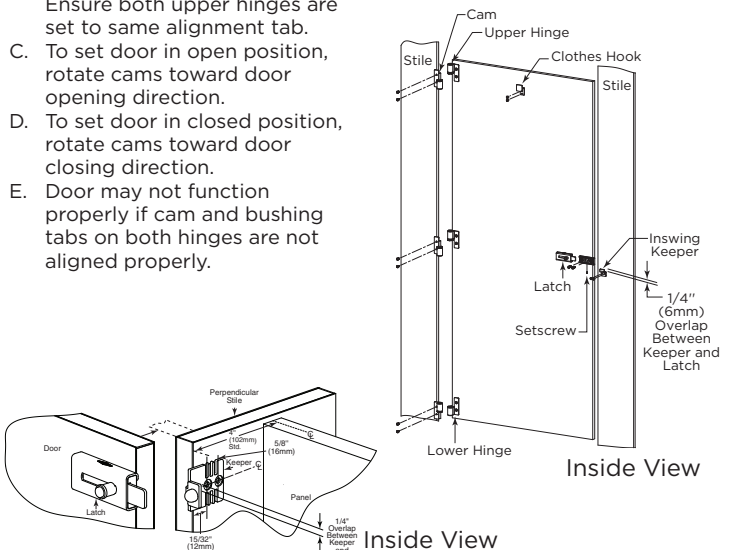
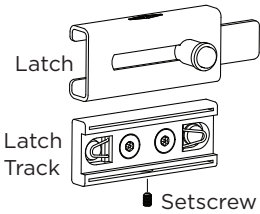


Fig. 8b: Inswing Door Keeper on Perpendicular Stile (Alcove Layout).

STANDARD HARDWARE

### Latch



#1040-42  
Latch Packet

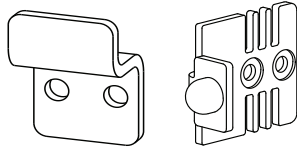


#1000077  
1/4-20 x 1" (M6-1 x 25mm)  
Flat-Head Latch Screw



#1000900 Packet  
(5/64" Allen Wrench for  
Setscrew to Latch Track)

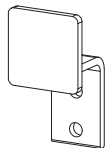
### Keepers



#1040-35  
Inswing  
Keeper

#1040-39  
Perpendicular  
Keeper

### Clothes Hook



#1000869 Clothes Hook

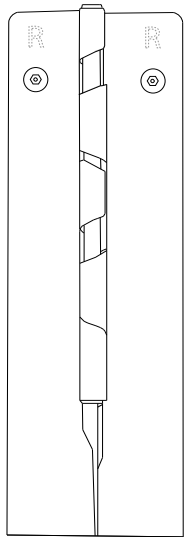


#1002500  
#12 x 3/4" (5.5 x 19mm)  
Pin-in-Head Torx Screw  
Pilot Hole = #19 (.166) x 3/4"  
(19mm)

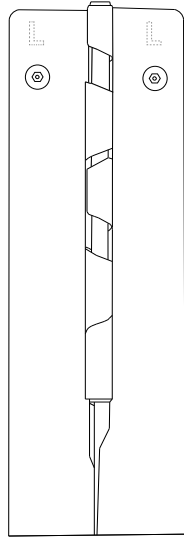


# STEP 8 INSTALL INSWING DOORS

**Fig. 8: Orient Hinge**



#1002925  
Right-Hand Inswing or  
Left-Hand Outswing



#1002924  
Left-Hand Inswing or  
Right-Hand Outswing



#1002494  
1/4-20 x 3/4" (19mm)  
Pin-in-Head Torx Screw

## DOOR HARDWARE INSTALLATION.

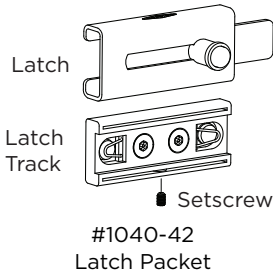
### Hinge.

- Orient hinge (see Fig. 8).
- Fasten hinge to the door (see Fig. 8a) using 7 – #1002494 (1/4-20 x 3/4") screws.
- Supporting door, fasten hinge to the stile.

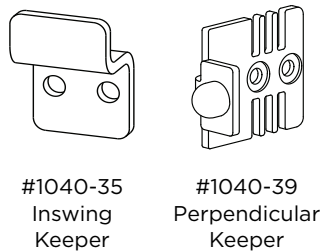
### Latch, Keeper, Stop Plates and Clothes Hook.

- Attach the latch track to the door using T-25 torx driver for latch screws. **NOTE: Latch track projects past edge of door.**
- Slide the stainless steel latch into the grooves on latch track. Center the latch on track. Insert a setscrew into the threaded hole in the bottom of track and tighten until flush with the bottom of latch.
- Attach the keeper and clothes hook using #1002500 screws.

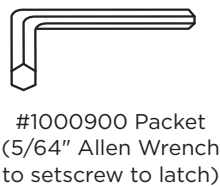
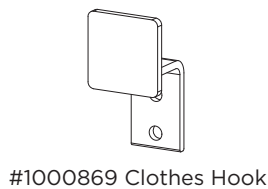
### Latch



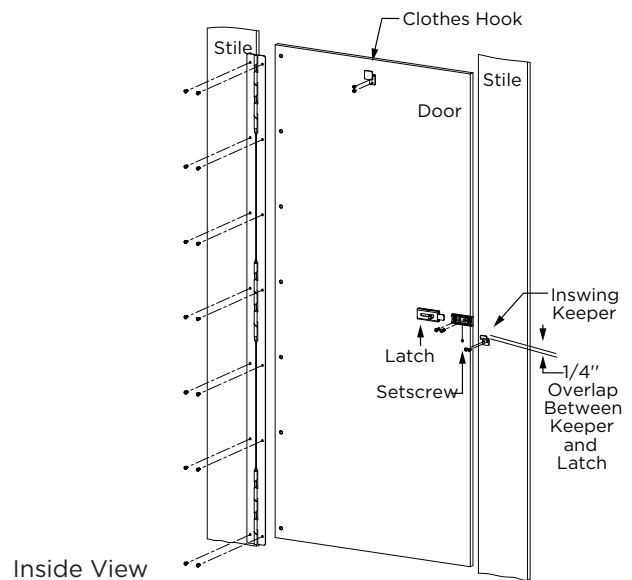
### Keepers



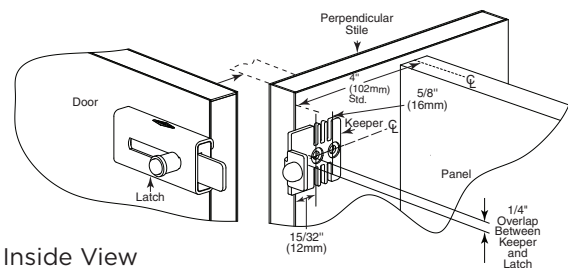
### Clothes Hook



**Fig. 8a: Right-Hand Inswing Door.**



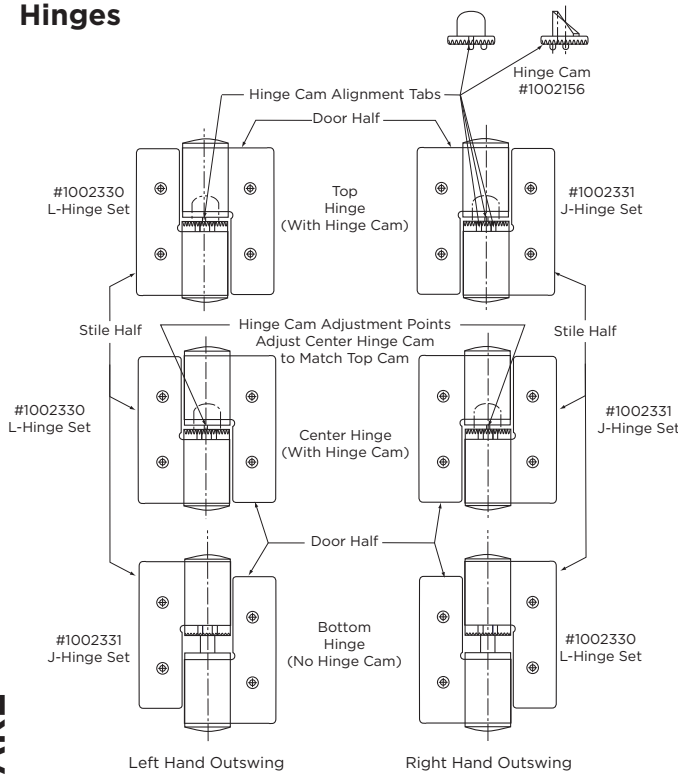
**Fig. 8b: Inswing Door Keeper on Perpendicular Stile (Alcove Layout).**



OPTIONAL CONTINUOUS HARDWARE

# STEP 9 INSTALL OUTSWING DOORS

## Hinges



#1002491  
1/4-20 x 1/2" (M6-1 x 13mm)  
Pin-in-Head Torx Screw

## DOOR HARDWARE INSTALLATION.

### Hinge.

- Using hinge diagram at left, identify the (2) upper and (1) lower hinge set for right hand or left hand installation. Locate hinge cam #1002156 for upper hinges.
- Separate hinge sets and fasten the (3) halves that have plastic bushings with "teeth" and cam alignment tabs onto stile using driver and #1002494 (1/4-20 x 3/4") screws. Refer to diagram to ensure "J" and "L" halves are located properly.
- Fasten (2) upper hinge halves to door.
- Insert (1) hinge pin and (1) #1002156 hinge cam on each of the (2) upper stile hinge halves.
- Lift door and position onto (2) upper stile hinge halves. Door should be hanging securely on upper (2) hinges.
- Insert remaining hinge pin in lower door and mount hinge half to door.

### To Increase or Decrease Opening of Door.

- When the cam has been set at the desired free resting position, "either closed or open" the top of the affixed components will be aligned.

**Tip - Industry tolerance in the hardware will sometimes allow fine alignment adjustments to some partition components. These fine adjustments may be performed by loosening the hardware screws and adjusting the components the direction needed and retightening the screws.**

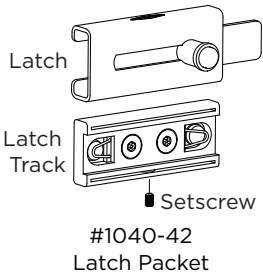
### To Increase or Decrease Opening of Unlatched Door, see page 16.

### Latch, Keeper, Clothes Hook, and Door Handle.

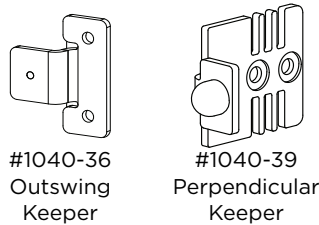
- Attach the latch track to the door using T-25 torx driver for latch screws. **NOTE: Latch track does not project past edge of door.**
- Slide the stainless steel latch into the grooves on latch track. Center the latch on track. Insert a setscrew into the threaded hole in the bottom of track and tighten until flush with the bottom of latch.
- Attach the keeper (see Fig. 9a) and attach the clothes hook (not through-bolted). NOTE: On outswing door, position clothes hook per local accessible toilet compartment codes. For prep. alcove, use #1040-39 keeper as a template to mark location. Install keeper and clothes hook using #1002500 screws.
- Using the door handle as a template on the outside of door, mark location for top hole in handle 27" (685mm) up from the bottom of door and 3" (75mm) from the edge of door. Mark location for bottom hole in handle.
- Drill two (2) 3/16" (5mm) diameter holes through door. Attach handle to outside of door using 8-32 x 1-1/4" (4.2 x 30mm) pin-in-head torx screws.

STANDARD HARDWARE

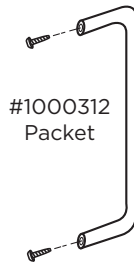
### Latch



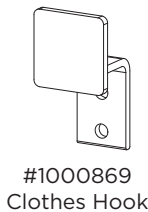
### Keepers



### Door Handle (2)



### Clothes Hook



#1000077  
1/4-20 x 1" (M6-1 x 25mm)  
Flat-Head Latch Screw



#1000900 Packet  
(5/64" Allen Wrench to Setscrew to Latch)



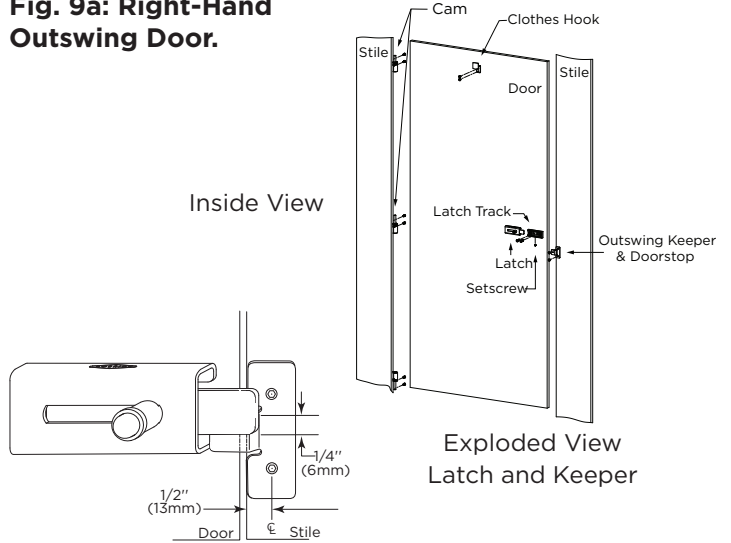
#1000418  
Accessible Toilet  
Compartment Label



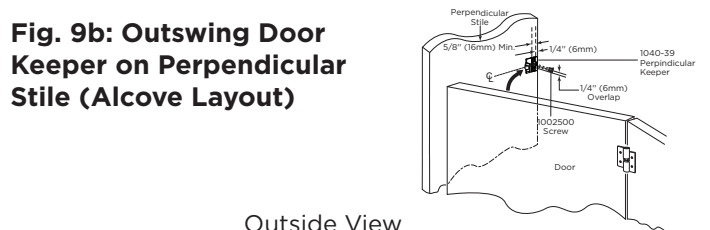
#1002500  
#12 x 3/4" (5.5 x 19mm)  
Pin-in-Head Torx Screw  
Pilot Hole = #19 (.166) x 3/4"  
(19mm)

Plastic Latch Track mounting holes must be located towards the door edge

**Fig. 9a: Right-Hand Outswing Door.**

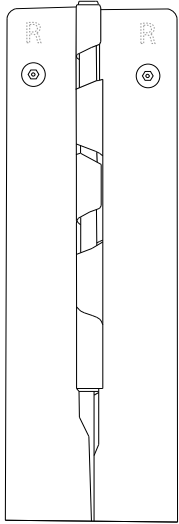


**Fig. 9b: Outswing Door Keeper on Perpendicular Stile (Alcove Layout)**

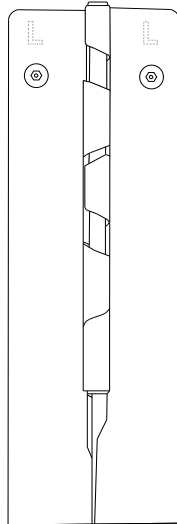


# STEP 9 INSTALL OUTSWING DOORS

**Fig. 9: Orient Hinge**



#1002925  
Right-Hand Inswing or  
Left-Hand Outswing

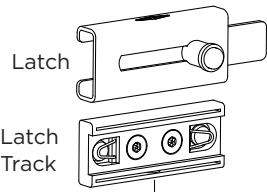


#1002924  
Left-Hand Inswing or  
Right-Hand Outswing



#1002494  
1/4-20 x 3/4" (19mm)  
Pin-in-Head Torx Screw

## Latch



Latch  
Latch Track

Setscrew  
#1040-42  
Latch Packet



#1000077  
1/4-20 x 1" (25mm)  
Flat-Head Latch Screw

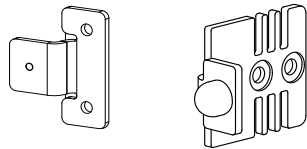


#1000900 Packet  
(5/64" Allen Wrench to  
setscrew to latch)



#1000418  
Accessible Toilet  
Compartment Label

## Keepers



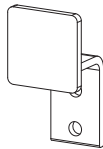
#1040-36  
Outswing  
Keeper

#1040-39  
Perpendicular  
Keeper



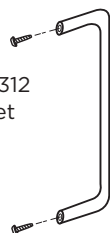
#1002500  
#12 x 3/4" Pin-in-Head Torx  
Screw Pilot Hole = #19 (.166) x  
3/4" (19mm)

## Clothes Hook



#1000869 Clothes Hook

## Door Handle (2)



#1000312  
Packet

## DOOR HARDWARE INSTALLATION.

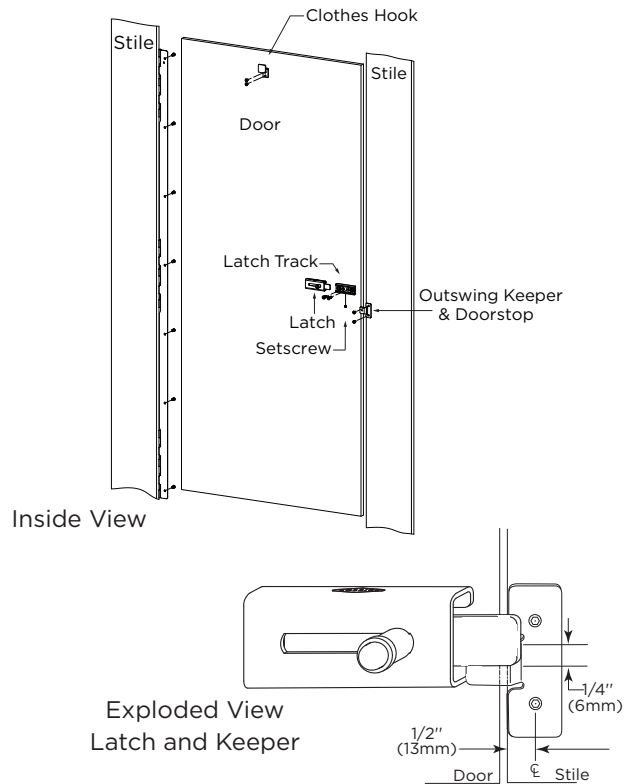
### Hinge.

- Orient hinge (see Fig. 9).
- Fasten hinge to the door (see Fig. 9a) using 7 #1002494 (1/4-20 x 3/4") screws.
- Supporting door, fasten hinge to the stile.

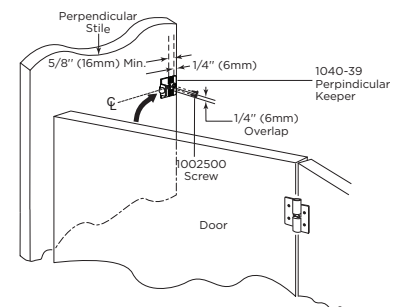
### Latch, Keeper, Door Handle and Clothes Hook.

- Attach the latch track to the door using T-25 torx driver for latch screws. **NOTE: Latch track does not project past edge of door.**
- Slide the stainless steel latch into the grooves on latch track. Center the latch on track. Insert a setscrew into the threaded hole in the bottom of track and tighten until flush with the bottom of latch.
- Attach the keeper using (2) -#1002500 screws (see Fig.9a).
- Attach #1000869 clothes hook using #1002500 screws (not through bolted). **NOTE: On outswing door, position clothes hook per local accessible toilet compartment codes.**
- Using the door handle as a template on the outside of door, mark location for top hole in handle 27" (685mm) up from the bottom of door and 3" (75mm) from the edge of door. Mark location for bottom hole in handle.
- Drill two (2) 3/16" (5mm) diameter holes through door. Attach handle to outside of door using 8-32 x 1-1/4" torx screws (included in packet).

**Fig. 9a: Right-Hand Outswing Door.**



**Fig. 9b: Outswing Door Keeper on Perpendicular Stile (Alcove Layout)**

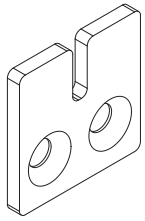


OPTIONAL CONTINUOUS HARDWARE

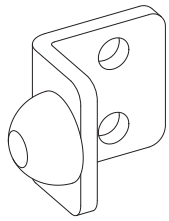
# STEP 10 INSTALL WALL MOUNTED KEEPER (IF APPLICABLE)

- A. Set the door to the closed position and verify the door is aligned with the other components, then slide the latch towards the wall.
- B. Select the appropriate wall mounted keeper (see **Fig. 10a - 10b**). Note: Inswing doors require #1000192 Alcove Keeper on opposite side of door to act as a door stop (see **Fig. 10a**).
- C. Position keeper on the wall and mark the mounting hole locations. Refer to diagram **Fig. 10a** for Inswing door or **Fig. 10b** for Outswing door.
- D. Drill pilot holes on marked locations using #19 x 2" (.166x50mm) drill bit.
- E. Attach the keeper to wall using #1002495 Pin-Head Torx Screw.

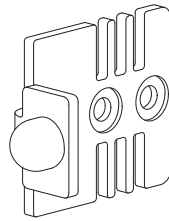
**Pilot Hole Sizes: #19 x 2" (.166x50mm)**



#1040-56  
Wall Mounted Keeper  
(Inswing Door)



#1000192  
Alcove Keeper  
(Use as Door Stop)

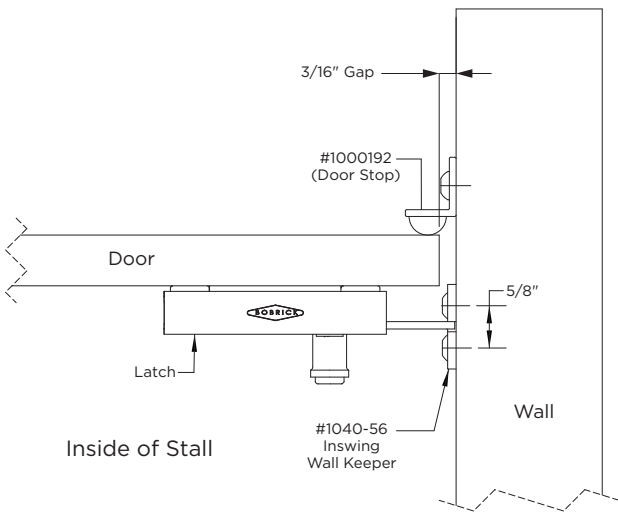


#1040-39  
Perpendicular Keeper  
(Outswing Door)

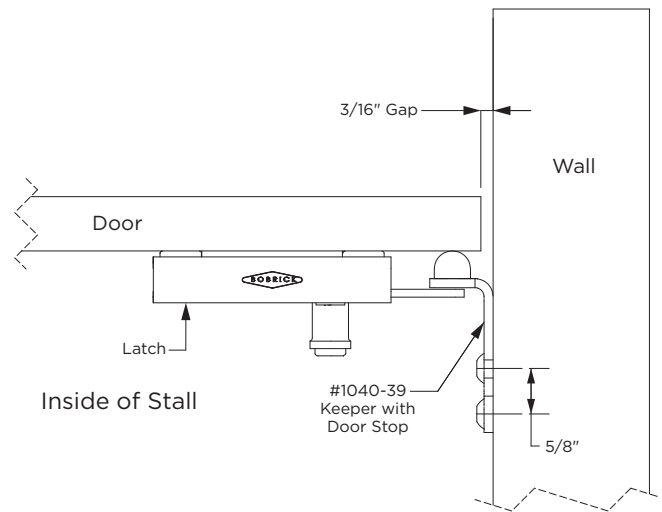


#1002495  
#12 x 2" Pin-Head Torx Screw  
(M5.5 x 50mm) Wall Screw

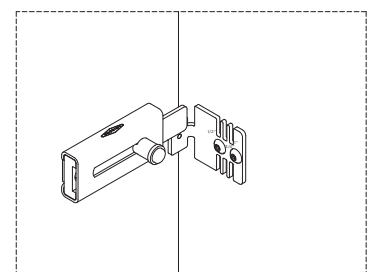
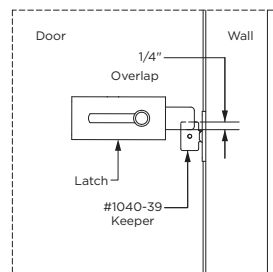
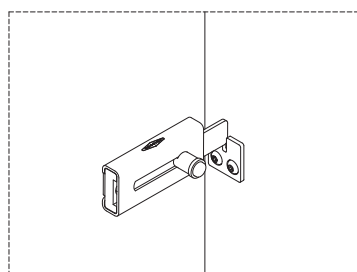
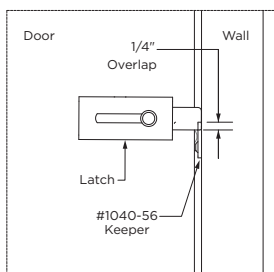
**Fig. 10a: Inswing Door Wall Mount Keeper Installation Detail.**



**Fig. 10b: Outswing Door Wall Mount Keeper Installation Detail.**



**Note:** Inswing doors require #1000192 Alcove Keeper on opposite side of door where the keeper is mounted to act as a door stop.



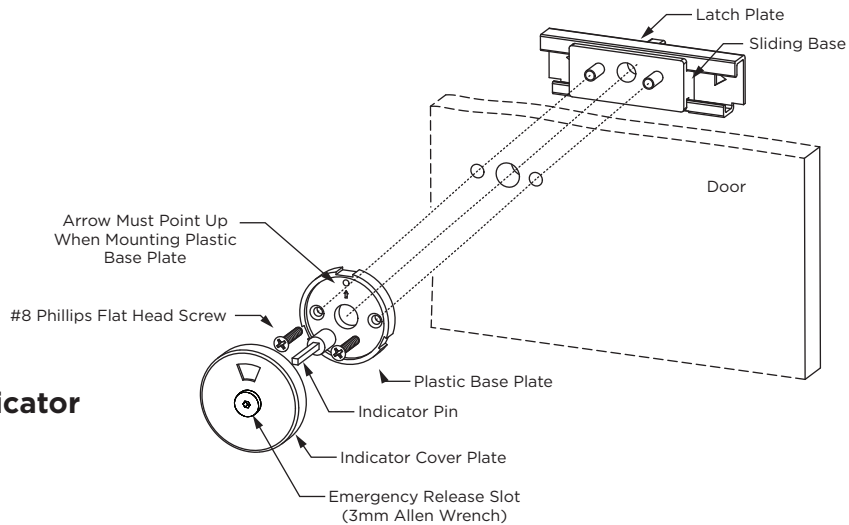
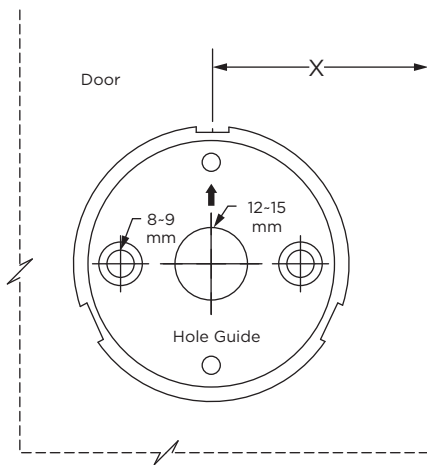
# STEP 11 INSTALL OCCUPANCY INDICATOR LATCH AND KEEPER (IF APPLICABLE)

- A. Use template and table below to locate mounting plate holes.
- B. Drill through center hole using 1/2" (13mm) drill bit.
- C. Drill through two outer holes using 5/16" or 23/64" (8 or 9mm) drill bit.
- D. Attach latch to door per **Fig. 11b** and **Fig. 11c**. Use two 1 3/16" (30mm) screws for 3/4" (19mm) thick doors. Use shorter indicator pin for 3/4" (19mm) material.
- E. Assure red indicator is showing in indicator window, when the latch track is fully engaged.

**Note:** Emergency Access - The latch allows the door to be opened from the exterior of the toilet compartment by inserting a 3mm Allen key into the keyhole in the center of the cover plate and turning the key to release the latch.

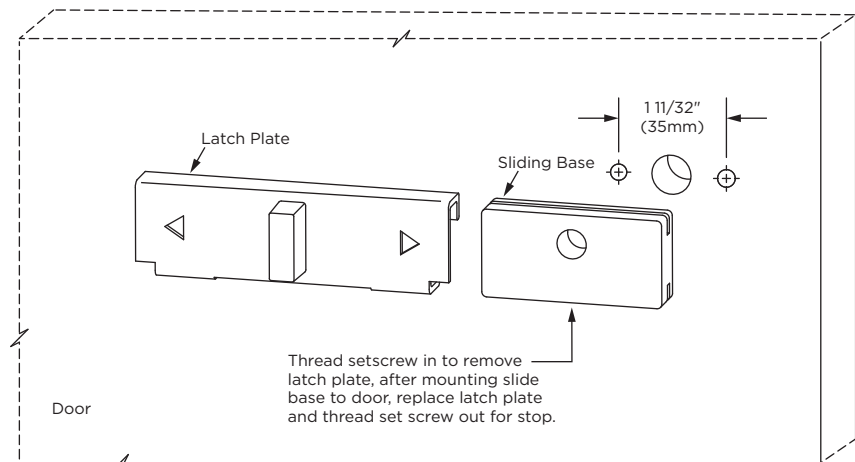
**Fig. 11a: Occupancy Indicator Latch #10002612**

Keeper	X-Dimension
Inline I/S Keeper	1 11/16" (43mm)
Inline O/S Keeper	2 1/4" (57mm)
Alcove I/S Keeper	2 1/16" (52mm)
Alcove O/S Keeper	2 7/8" (73mm)



**Fig. 11b: Occupancy Indicator Latch Packet**

**Fig. 11c: Latch Plate and Sliding Base**



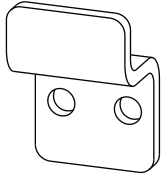
F. Using the keeper as a template, attach keeper per **Fig. 11d, 11e, 11f, or 11g** on keeping stile (inside of stall).

G. Mark and drill  $7/16''$  (11mm) deep pilot hole using a  $3/16''$  (4.7mm) drill bit. **Do not drill through.**

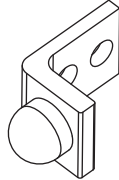
H. Secure keeper to stile using #1002499 Pin-Head Torx Screw.

**Note:** All dimensions are based on a standard gap of  $5/32''$  (4mm).

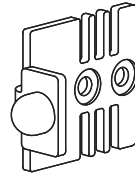
**Pilot Hole Sizes:**  $3/16'' \times 7/16''$  (4.7 x 11mm) **Do not drill through.**



#1002612  
Inswing Keeper (Included in packet )



#1000192  
Perpendicular Keeper

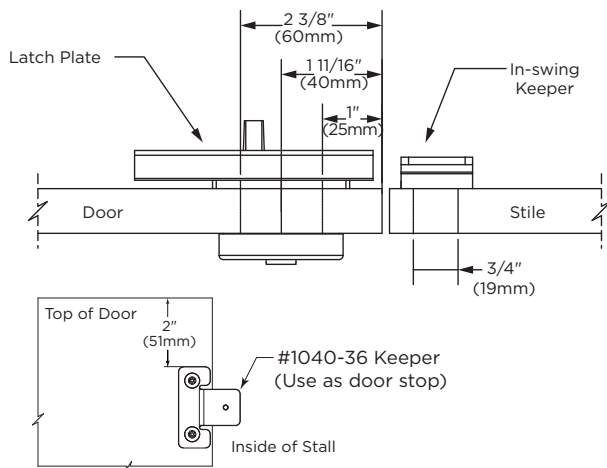


#1040-39  
Perpendicular  
Keeper



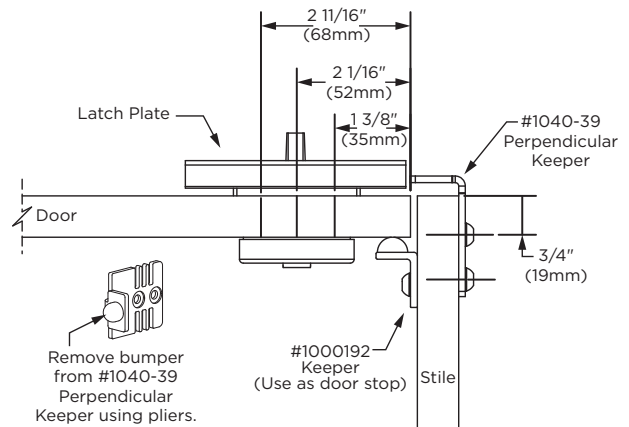
#1002500  
#12 x  $3/4''$  Pin-in-Head  
Torx Screw  
Pilot Hole = #19 (.166) x  $3/4''$   
(4.2 x 19mm)

**Fig. 11d: Inline Inswing**



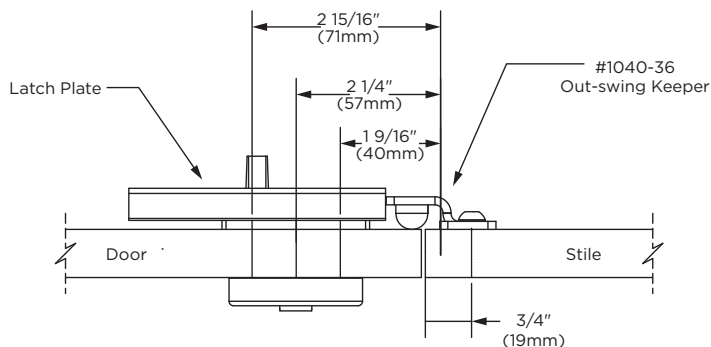
Use two #1002500 Pin-In-Head Torx screws to attach keeper.

**Fig. 11e: Perpendicular/Alcove Inswing**



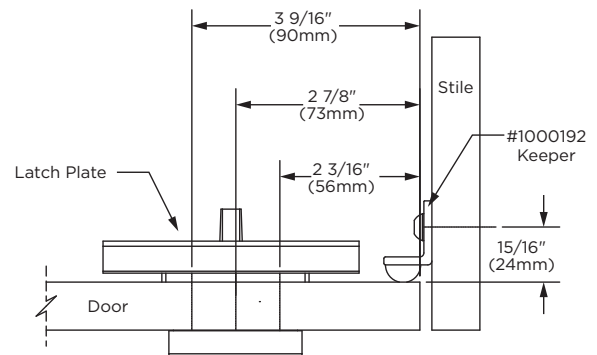
Use two #1002500 Pin-In-Head Torx screws to attach keeper.

**Fig. 11f: Inline Outswing**



Use two #1002500 Pin-In-Head Torx screws to attach keeper.

**Fig. 11g: Perpendicular/Alcove Outswing**



Use two #1002500 Pin-In-Head Torx screws to attach keeper.

## STEP 12 INSTALL SHOES

- A. Locate proper width shoe for stile.
- B. Confirm shoe retainer **#1002185** is installed on anchor bolt next to flat washer closest to floor or ceiling. For anchor assembly detail, reference diagram on Page 4.
- C. Shoes accommodate 1" thick or 3/4" thick stiles. For 1" thick stiles, orient shoe with 3/16" wide flange return against faces and edge of stile.
- D<sup>(1)</sup>. Standard Stile Installation - See **Fig. 12a**

Open end of shoe and slide onto bottom of stile, trapping bottom flange under shoe retainer.

Close open end of shoe, overlapping so holes are aligned. Install flat head retaining screw through double thickness of material to close shoe.
- D<sup>(2)</sup>. Stile-to-Wall Installation - See **Fig. 12b**

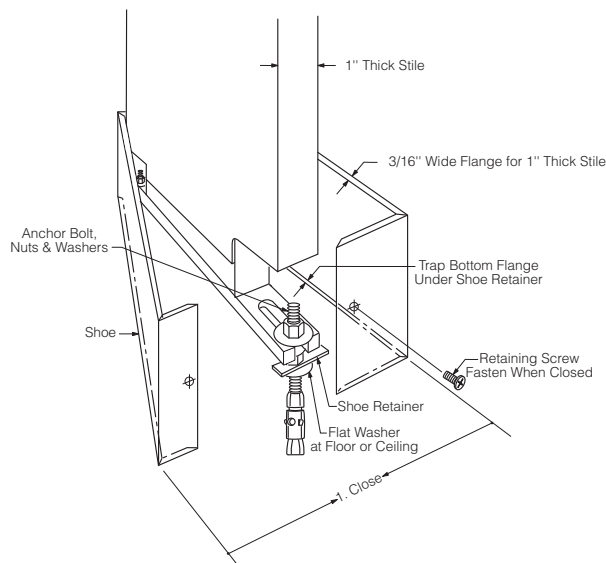
Stile-to-wall shoe retaining clip **#1002185** is supplied for every stile-to-wall. Locate shoe retaining clip.

Hold retaining clip by its extended leaf with pliers. Spread shoe open at least one inch and insert retaining clip into hole on inner leaf of shoe until it snaps into place.

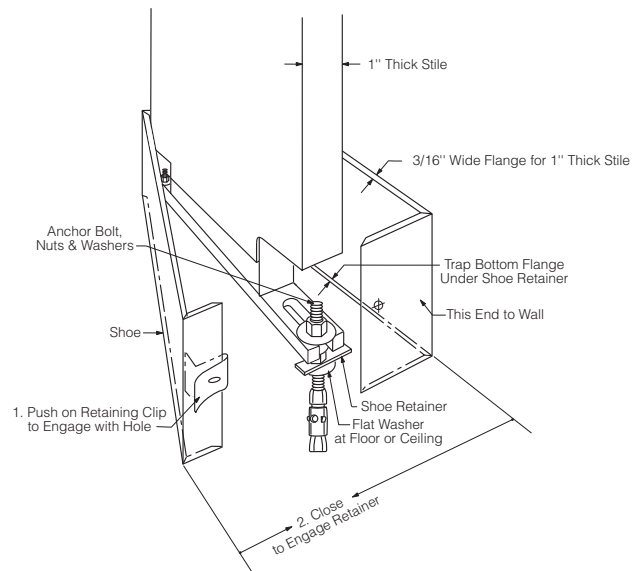
Open end of shoe and slide onto bottom of stile, trapping bottom flange under shoe retainer. Shoe retaining clip will be positioned against wall.

Close edges of shoe together until remaining hole snaps into place on retaining clip.
- E. Remove protective covering and wipe shoe clean.

**Fig. 12a: Standard Stile Installation.**



**Fig. 12b: Stile-to-Wall Installation.**



### REPLACEMENT SHOE GUIDE

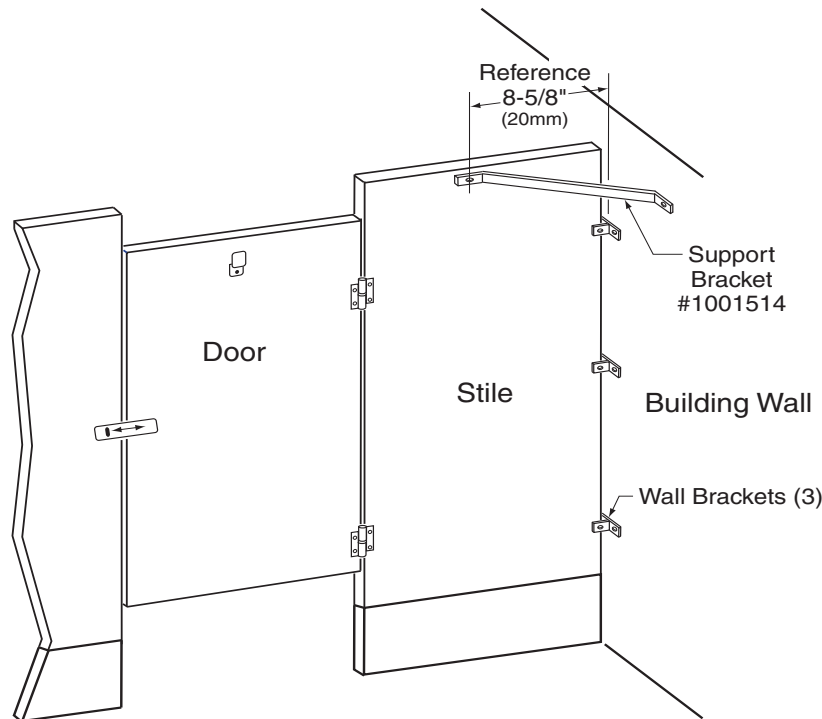
Stile Width	Bobrick Part Number
3"	1002175
4"	1002176
5"	1002184
6"	1002177
7"	1002197
8"	1002178
10"	1002179
12"	1002180
16"	1002181
18"	1002196
20"	1002182
24"	1002183



## STEP 13 INSTALL SUPPORT BRACKET (IF APPLICABLE)

- A. 16", 18", 20" and 24" stiles attached to side wall or end panel will be supplied with a support bracket (#1001514) for added stability.
- B. Install bracket at highest point on top of stile for floor anchored configurations. For ceiling-hung configuration, install bracket at lowest point on bottom of stile.
- C. Install bracket to stile and panel using #1002500 screw and #1000814 washer. Install bracket to wall using #1002495 screw to adequate backing.

Screw Into	Screw Number	Screw Size
Stile	1002500	#12 x 3/4" (5.5 x 19mm)
Wall	1002495	#12 x 2" (5.5 x 50mm)
Laminate Panel	1002500	#12 x 3/4" (5.5 x 19mm)
Washer	1000814	NA



**Note:** For Ceiling-Hung system, support bracket at lowest point possible on stile.

## STEP 14 FINISHING AND CLEANUP

- A. Remove any exposed labels from the components of toilet compartments.
- B. Clean surfaces as needed. CAUTION: Do not use cleaners containing acid on Bobrick toilet compartments. For example, tile cleaners containing acid may attack the stainless steel hardware. For Bobrick recommendations, refer to Bobrick Form Nos. TB-21 and TB-60.

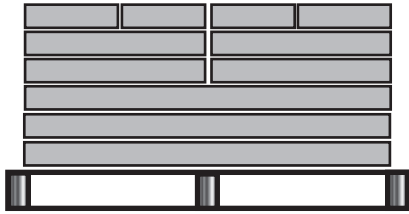


## **Important Toilet Partition Storage and Handling Information**

Store in a clean, dry area. Do not store outside.  
Move material to installation area 72 hours before installation.  
Always store material flat with weight evenly supported.

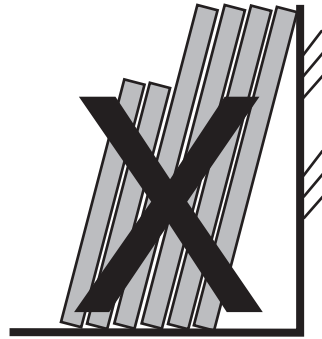
### **Toilet Partition Stacking**

**Do This**



**Stack Flat**

**Don't Do This**



**Stack Upright**

Failure to follow these instructions may result in warped material  
which is not covered by Bobrick's warranty.



**In the U.S.A.: BOBRICK WASHROOM EQUIPMENT, INC.**

Los Angeles: 6901 Tujunga Ave., North Hollywood, CA 91605-6213; Tel: (818) 982-9600, Fax: (818) 503-1102  
New York: 200 Commerce Drive, Clifton Park, NY 12065-1350; Tel: (518) 877-7444, Fax: (518) 877-5029,  
or e-mail: [customerservice@bobrick.com](mailto:customerservice@bobrick.com)

**In Canada: BOBRICK WASHROOM EQUIPMENT COMPANY**

45 Rolark Drive, Scarborough, Ontario M1R 3B1  
Eastern Canada: Tel: (877) 423-6555, Fax: (877) 423-8555; Western Canada: Tel: (877) 423-6444, Fax: (877) 423-8444

