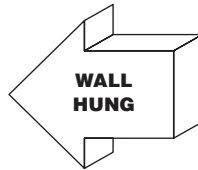
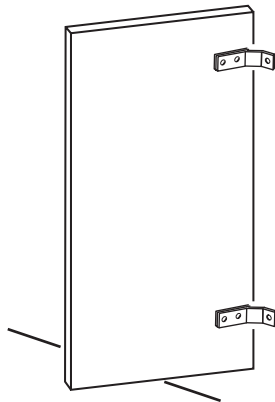
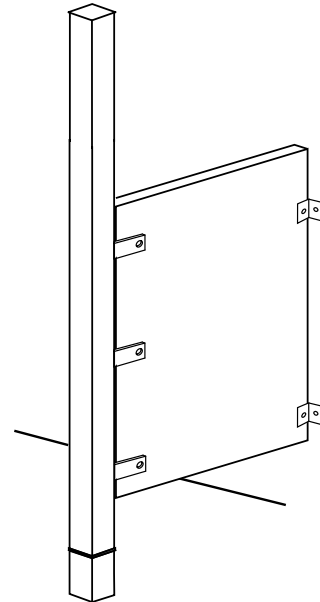


INSTALLATION INSTRUCTIONS

URINAL SCREENS, BENCHES & SHOWER SEATS

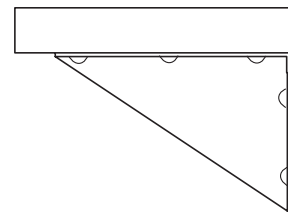
IMPORTANT:
Storage and Handling Information on last page.
Review these instructions thoroughly prior to
installation.

1033 Stainless Steel Edge
1043 High Pressure Laminate Edge
1083 Solid Phenolic
1183 Class A Solid Phenolic



1035 Stainless Steel Edge
1045 High Pressure Laminate Edge
1085 Solid Phenolic
1185 Class A Solid Phenolic
1545 Plastic Laminated Edge
1845 FRP

1040 High Pressure Laminate
1080 Solid Phenolic
1180 Class A Solid Phenolic



BUILDING VALUE SINCE 1906

PREPARATION

BEFORE YOU BEGIN...

These installation instructions cover wall hung urinal screens, post-to-ceiling urinal screens, benches and shower seats only.

For detailed instructions regarding installation of toilet partitions, floor anchored urinal screens or ceiling hung urinal screens please refer to one of the following:

- 1040-69
- 1080-69
- 1540-69
- 1080.67-69
- 1040.65-69

PRE-INSTALLATION.

- A. Structural support in walls and floors is not furnished by Bobrick. Confirm that adequate backing is present in wall, ceiling and floors prior to installation.
- B. This installation booklet must be used with the Bobrick layout sheets.
- C. You may verify hardware received by cross-referencing the last page of the layout sheets against the box contents.

INSTALLATION STEPS.
















1. Brackets and Screws..... Page 3
2. Post-to-Ceiling Urinal Screens Page 4
3. Wall Hung Urinal Screens Page 7
4. 1040 Series Benches..... Page 8
5. 1080/1180 Series Shower Seats..... Page 8
6. Finishing and Cleanup Page 9



- A. Organize components with appropriate hardware.

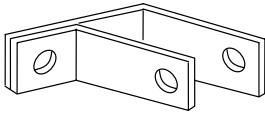
RECOMMENDED TOOLS.

CAUTION: Be sure to use proper safety gear.

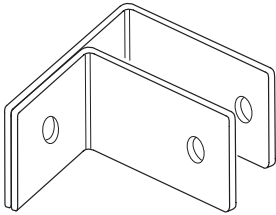
1.  Chalk Line
2.  Plumb-bob
3.  Masking Tape (for laying out holes on floors/walls/ceilings to be drilled)
4.  Tape Measure and Pencils
5.  Center Punch
6.  Electric and/or Battery-Powered Drill – 1/2" and 3/4" (13 and 19mm) Concrete Drill Bits
7.  Drill Bits
1/16" to 1/4", numbered 1 to 60
metric 1.0 to 7.0mm
8.  Screwdrivers/Screwdriver Bits
flathead and phillips, #1, #2 and #3
9.  Shims
10.  Adjustable Supports
1-1/2" to 12" (40–105mm)
11.  Level
12.  Wrench – Adjustable or 9/16" (14mm) open end (2 req'd. for adjusting hex nuts on anchors)
13.  Allen Wrench – 5/64" (2mm) (to install door latch)-Supplied by Bobrick
14.  Hack Saw
15.  Hammer

BRACKETS AND SCREWS

F-brackets

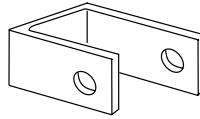


#1000353
Panel to Wall

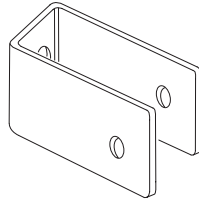


#1000975
Panel to Wall 1080 Series

U-brackets

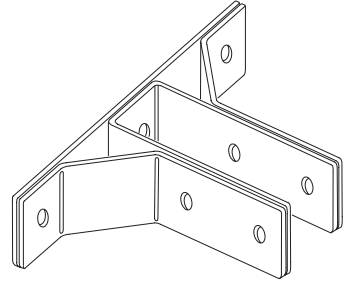


#1000356
Panel to Stile

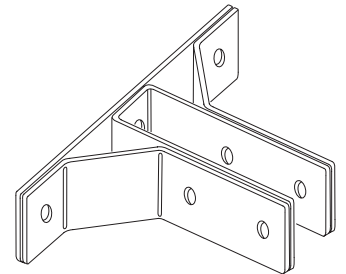


#1000972
Panel to Stile 1080 Series

U-brackets

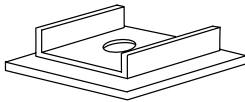


#1000357
1045 series



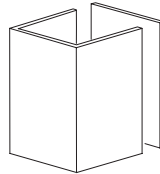
#1002956
1085 series

Base Plate



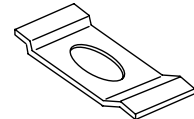
#1000157
SPC Hardware

Shoe



#1000158 Front Plate
#1000159 Rear Plate
SPC Hardware

Shoe Retainer



#1000103
SPC Hardware



#1002500
#12 x 3/4" 1040 Bracket to Screen



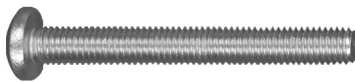
#1002499
#12 x 7/16" Bracket to Panel/
Bracket to Stile 1080 Series



#1000050
#10-32 x 3/8" Phillips
SPC Bracket to Post



#1000133
Acorn Nut - 10-32
Through-Bolt Urinal Screen



#1000134
#10-32 x 1-3/4" (44mm) Phillips
Through-Bolt Urinal Screen 1040 Series



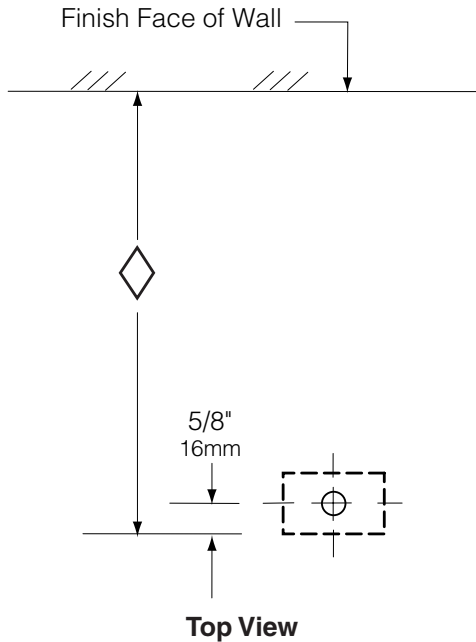
#1002966
#10-32 x 1-1/4" (38mm) Pin-in-Head Torx Screw
Screen - 1080 Series/Bench 1040



#1002495
#12 x 2" (50mm)
Wall Screws

STEP 1 POST-TO-CEILING URINAL SCREENS

LAYOUT EXAMPLE.



- Refer to Bobrick layout sheets for distance location on screen depth.
- From back wall, measure and mark the location of the edge of the screen.
- Centerline of floor anchor from edge of screen is 5/8" (16mm).
- Be sure, by plumb line, that floor and ceiling holes are in line.

LEGEND: Obtain Dimension from Bobrick Layout Sheet.
 Mounting holes to be drilled.

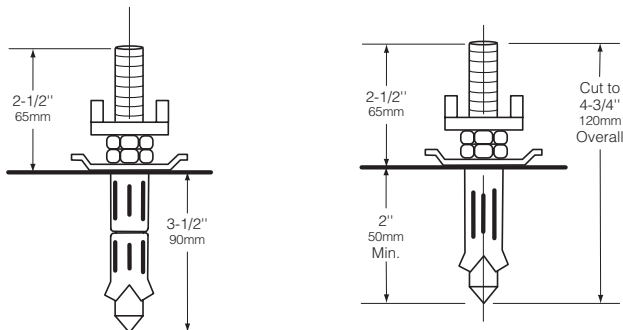
STEP 2 INSTALL ALL ANCHORS

FLOOR AND CEILING ANCHORS.

- Drill 3/8" (9.5mm) diameter hole to depth shown. Remove all loose material from hole.
- Insert anchor into drilled hole. Stud to be 2-1/2" (65mm) above floor.
- Use 9/16" (14mm) wrench to tighten hex nut until anchor is expanded. Make sure shoe retainer is in proper position to accept shoe. *Angled ends to face front and rear of urinal screen.*
- Install second hex nut.
- Place base plate over threaded rod.

NOTE: Wood-floor anchors are available upon request.

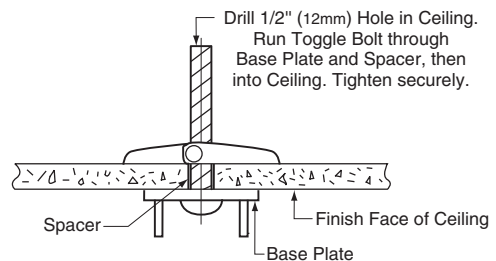
Fig. 2a: Detail of Floor Anchor.



**For tile or concrete floors
using filler sleeve**

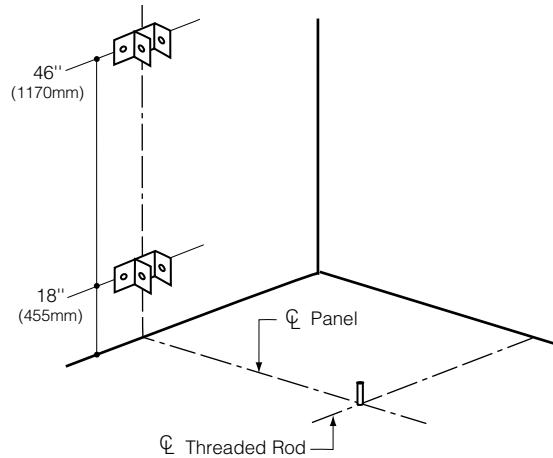
**For tile or concrete floors
without filler sleeve**

Fig. 2b: Detail of Ceiling Anchor.



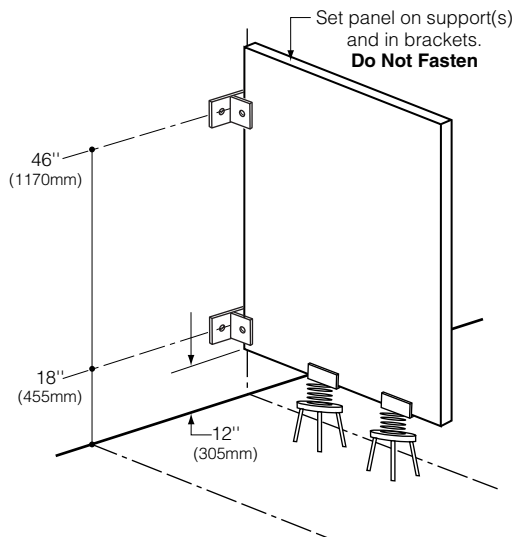
STEP 3 POST-TO-CEILING URINAL SCREENS

Fig. 3a: Layout Walls and Install Brackets.



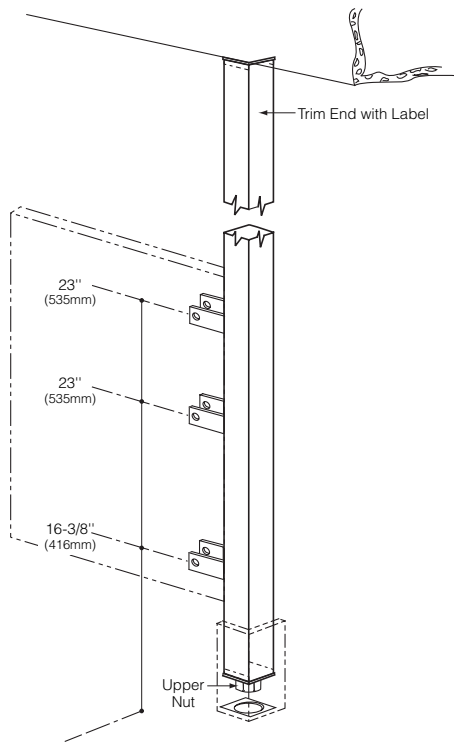
- Using the wall brackets as templates, measure and mark the location of all mounting holes, according to dimensions shown in illustrations (Fig. 3a, 3b, 3c).
- Use #19 (.166) drill bit for 2" (50mm) deep pilot holes into adequate wall backing.
- Secure wall brackets with #1002495 screws.

Fig. 3b: Put Screen in Place.



STEP 3 POST-TO-CEILING URINAL SCREENS

Fig. 3c: Install Post



- A. Post is furnished in 10' -0" (305cm) lengths. Post is to be field cut on end with label attached.

Follow instructions on label to cut post to your job conditions.

- B. Fasten three brackets with No. 10 x 3/8" (10mm) screws.

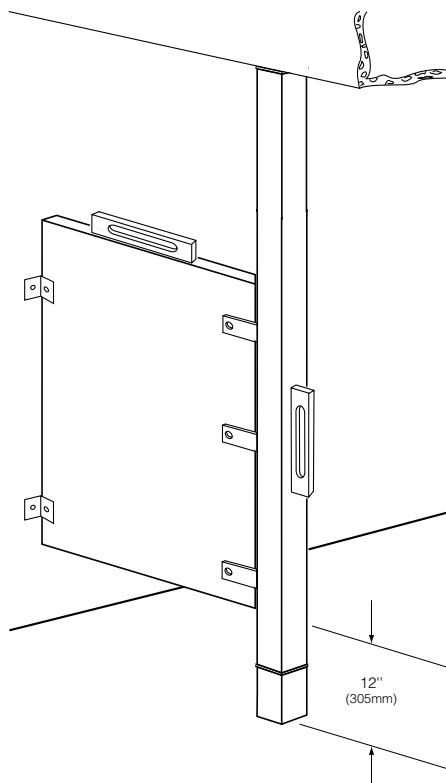
Be sure short end of post is towards floor to assure proper mounting of panel to brackets.

- C. Place post over floor base plate. Be sure brackets are on panel side. Turn upper nut raising post to engage on ceiling base plate.

Caution: Use care when raising post to prevent damage to ceiling.

- D. Install shoe with No. 6 x 1/4" (6mm) screws. Screws to be on panel side of post. Be sure to engage retainer at floor.

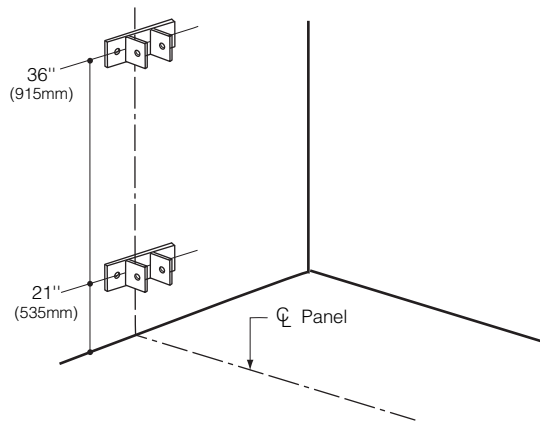
Fig. 3d: Attach Panel



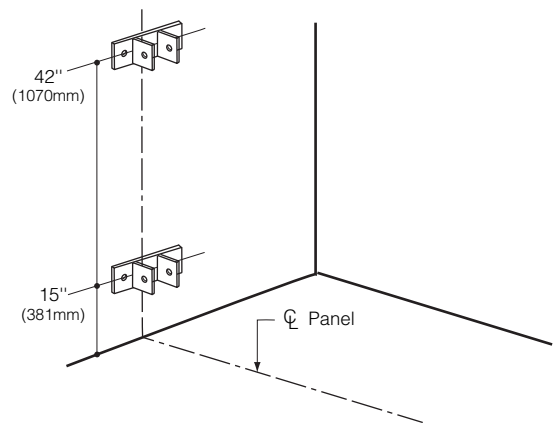
Position panel so that it contacts the heads of the screws that attach the brackets to the post. Drill No. 19 holes x 3/4" (19mm) deep. Fasten panel to brackets on post with #1002499 screws for 1/2" (12mm) panels and #1002500 for 1" (25mm) panels. Make sure that post is plumb and straight. Drill pilot holes and fasten wall brackets to panel.

STEP 1 WALL HUNG URINAL SCREENS

Fig. a: Layout Walls and Install Brackets.



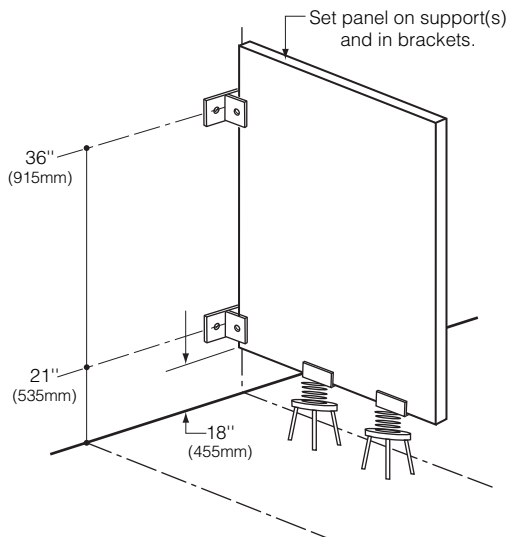
For 42" (107cm) High Screens



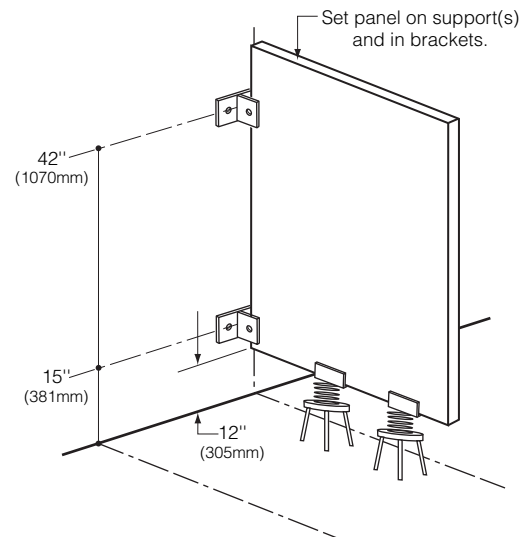
For 48" (122cm) High Screens

- Using the wall brackets as templates, measure and mark the location of all mounting holes, according to dimensions shown in illustrations (Fig. a, b).
- Use #19 (.166) drill bit for 2" (50mm) deep pilot holes into adequate wall backing.
- Secure wall brackets with #12 x 2" screws.

Fig. b: Put Screen in Place.



For 42" (107cm) High Screens

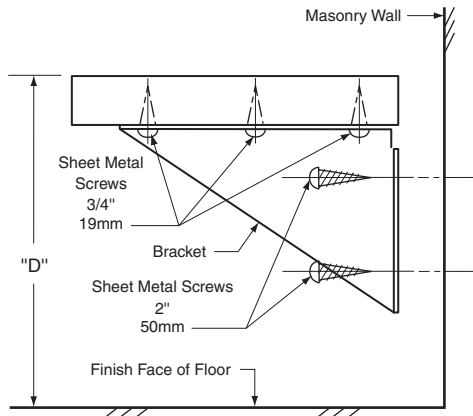


For 48" (122cm) High Screens

- Position panel so that it contacts the heads of the screws that attach the brackets to the wall.
- Using brackets as templates, drill #19 through the panel.
- Fasten panel to brackets with #10-32 x 1-1/4" (#10-32 x 1-3/4" 1040 only) screw and #10-32 acorn nut.

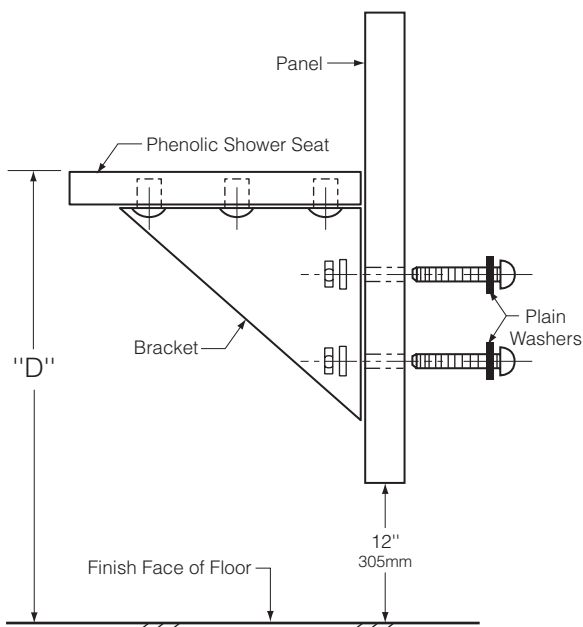
STEP 1 BENCH/SHOWER SEAT INSTALLATIONS

Fig. 1a: Bench 1040 Series



- Mark holes on one side of bench using mounting brackets as templates. Mounting holes to be 3" maximum from each end of seat.
- Drill #19 (.166) x 3/4" (19mm) deep holes in seat. **Caution: Do Not Drill Through.**
- Attach brackets with #1002500 screws.
- Support bench so that height of bench complies with local building codes. Bench must be level with the floor in all directions and mounting brackets must be flat against the wall.
- Using brackets as templates mark and drill #19 (4.2mm) into wall 2" deep.
- Attach brackets to wall with #1002495 screws.
- Test and examine bench and fasteners and brackets to make sure there are no loose parts.

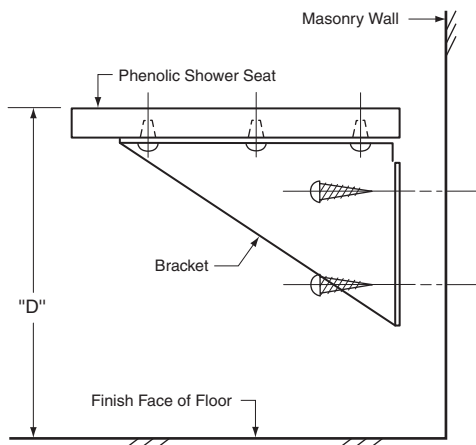
Fig. 1b: Shower Seat 1080/1180 Series (Panel Installation)



- Mark holes on one side of shower seat using mounting brackets as templates. Mounting holes to be 3" max. from each end of seat.
- Drill #19 x 7/16" (5.5 x 11mm) deep holes in seat. **Caution: Do Not Drill Through.**
- Attach brackets with #1002499 screws.
- Support seat so that height of seat complies with local building codes. Seat must be level with the floor in all directions and mounting brackets must be flat against the panel.
- Using brackets as templates mark and drill #10 (4.8mm) holes through panels.
- Attach brackets to panel with #10-32 x 1-1/4" machine screws, hex nuts and washers.
- Test and examine seat, fasteners and brackets to make sure there are no loose parts.

STEP 1 BENCH/SHOWER SEAT INSTALLATIONS

Fig. 1c: Shower Seat 1080/1180 Series



- A. Mark holes on one side of shower seat using mounting brackets as templates. Mounting holes to be 3" maximum from each end of seat.
- B. Drill #19 x 3/8" deep holes in seat. **Caution: Do Not Drill Through.**
- C. Attach brackets with #1002499 screws.
- D. Support seat so that height of seat complies with local building codes. Seat must be level with the floor in all directions and mounting brackets must be flat against the panel.
- E. Using brackets as templates mark and drill #19 (4.2mm) into wall 2" (50mm) deep.
- F. Attach brackets to wall with #1002495 screws.
- G. Test and examine seat and fasteners and brackets to make sure there are no loose parts.

FINISHING AND CLEANUP

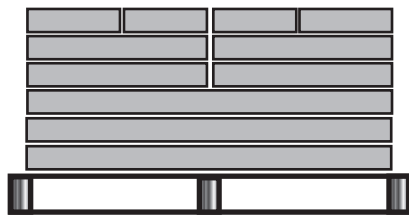
- A. Remove any exposed labels from the components.
- B. Clean surfaces as needed. **CAUTION: Do not use cleaners containing acid on Bobrick toilet compartments.** For example, tile cleaners containing acid may attack the stainless steel hardware. For Bobrick recommendations, refer to Bobrick Advisory Bulletins Nos. TB-21 and TB-60.

Important Toilet Partition Storage and Handling Information

Store in a clean, dry area. Do not store outside.
Move material to installation area 72 hours before installation.
Always store material flat with weight evenly supported.

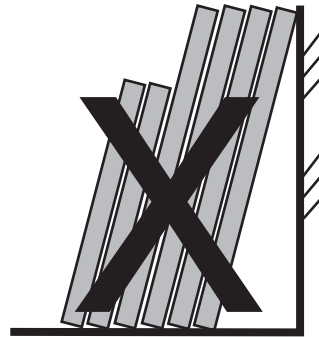
Toilet Partition Stacking

Do This



Stack Flat

Don't Do This



Stack Upright

Failure to follow these instructions may result in warped material
which is not covered by Bobrick's warranty.



BUILDING VALUE SINCE 1906

BOBRICK.COM

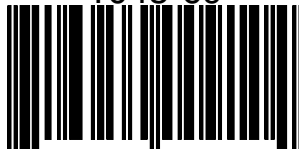
In the United States: BOBRICK WASHROOM EQUIPMENT, INC.

200 Commerce Drive, Clifton Park, NY 12065-1350, Telephone: (518) 877-7444 • FAX: 518-877-5029
11611 Hart Street, North Hollywood, CA 91605-5882: (818) 982-9600 • FAX: 818-503-1102
or email support@bobrick.zendesk.com

In Canada: BOBRICK WASHROOM EQUIPMENT COMPANY

45 Rolark Drive, Scarborough, Ontario M1R 3B1 • FAX: (877) 423-8555

1045-69



7 16954 00910 4