

TB-55 Locating Accessories Inside the Toilet Partition

Partition-Mounted Accessories

2010 ADA and 2009 ICC/ANSI A117.1 Standards:

In accessible toilet compartments designed to accommodate people using wheelchairs, canes, crutches or walkers, accessories should be mounted so the operating features meet local or state building codes or federal law whichever applies.

Roll toilet tissue dispensers that do not control delivery or do not allow continuous paper flow are required in all accessible toilet compartments. The 2010 ADA Standards require that roll toilet tissue dispensers must be installed with the dispenser centerline 7 inches (180mm) minimum and 9 inches (230mm) maximum in front of the leading edge of the toilet. The 2009 ICC/ANSI A117.1 Standards establish a different measurement procedure, locating the dispensers between 24 (610mm) inches minimum and 42 inches (1065mm) maximum from the rear wall of the toilet compartment. The 2009 ICC/ANSI A117.1 Standards locate the outlet of the dispenser no lower than 18 inches (455mm) above the finish floor. The 2010 ADA Standards allow the outlet on the roll toilet tissue dispenser to be mounted as low as 15 inches (380mm) above the finish floor.

Sanitary napkin disposals are recommended in all women's toilet compartments. They should be within reach from a sitting position, and it is recommended that they be mounted below grab bars.

Toilet seat cover dispensers are an optional hygienic amenity that can easily be provided in all toilet compartments. The opening for toilet seat covers needs to be mounted between 15 inches (380mm) and 48 inches (1220mm) above the floor, in an accessible location in the accessible compartment.

Combination units installed in side walls or partitions with grab bars can organize and unify installations by incorporating several accessories at one convenient location, such as toilet tissue dispensers, toilet-seat-cover dispensers, and sanitary napkin disposals improving accessibility.

The 2009 ICC/ANSI A117.1 Standard includes Exception 2, Section 609.3 Spacing that allows recessed units behind grab bars with less than 1-1/2 inches (38mm) absolute wall clearance. Note that if compliance with the 2010 ADA Standard is a concern, specify and install separate recessed or surface-mounted accessories a minimum of 1-1/2 inches (38mm) below the horizontal grab bar.

Bobrick recommends installing a B-687 bumper to prevent impact of an inswing door with partition-mounted accessories. The B-687 bumper has a cushioned tip that projects 2" (50mm) and a stainless steel base with satin finish to match Bobrick toilet compartment hardware. This bumper can also be used to protect finished walls from outswing doors on accessible corner or alcove toilet compartments.

Bobrick Standard Partition-Mounted Accessories:

Accessories in a toilet partition should be positioned to be within easy reach from the toilet. All accessories should be accessible on a side wall or partition.

Bobrick will provide cutouts for partition-mounted accessories in toilet partition panels as follows:

Bobrick's standard cutouts (Cutout location on page 2):

Cutouts are positioned to accommodate toilet bowls projecting from rear of the wall 29" to 31" (735 to 790mm) to meet 2010 ADA and 2009 ICC/ANSI A117.1 Standards for roll toilet tissue dispensers.

- Any toilet bowls out of the standard range will not meet accessibility standards and will be considered a special accessory cutout.
- Specifying the cutout location and dimensions is the responsibility of the architect and designer. Please review 2010 ADA and 2009 ICC/ANSI A117.1 Standards and your local building codes for product placement.

Special Accessory Cutouts (Use Template on Page 3 to order special cutouts):

Advise Customer Service prior to order placement when there are special cutouts required. The following conditions will require special cutouts:

- Accessory position shown on page 2 is not the desired location
- Toilet bowl sizes are not within 29" to 31" (735 to 790mm) range
- Cutouts are for non-Bobrick or Gamco partition-mounted units

Cutout fee for standard and special cutouts:

- \$25.00 for each partition-mounted accessories

Setup fee:

- No fee for Bobrick or Gamco standard cutouts (See page 2)
- \$150.00 for:
 - o Competitors' partition-mounted accessories
 - o Special accessory cutout position is requested

Advisory Bulletin



BUILDING VALUE SINCE 1906

TB-55 Locating Accessories Inside the Toilet Partition

Standard Position of Cutouts in Panel for Bobrick Partition Mounted Accessories

Designer's Notes:

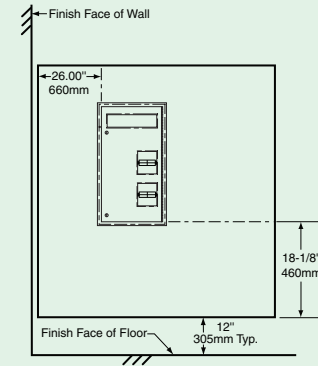
1. Illustrations, dimensions and applications shown are advisory only; all installations must conform to local codes. *Advise customer service when different location is preferred.*
2. Bobrick standard cutouts will be positioned to accommodate toilet bowl sizes ranging from 29" to 31" (737 to 790mm) to meet code for all toilet tissue dispensers. Cutout for B-386, B-3471, B-3571, B-34715, B-35715 are affected.
3. Dimensions shown to finished wall include a nominal 1/2" (13mm) wall gap.
4. This symbol indicates cut-out location and accessory(ies) position that comply with the 2010 ADA Standards with top of grab bar gripping surface 33" to 36" above the floor. Contact Bobrick Architectural Services for cut-out location and accessory(ies) position for compliance with 2009 ICC/ANSI A117.1 Standards and state-specific requirements such as California.
5. Use Bobrick straight grab bars 42" (610mm) or longer with these toilet partition panel-mounted units.
6. Units B-3471, B-3571, B-34715, and B-35715 have one side flush against partition to allow clearance for a grab bar across front of unit in one partition. Consult local codes for toilet partition clearance requirements.
7. Unit B-354 and B-4354 recommended cut out locations are based on a stall depth 60" (1525mm) (panel width 58" 1475mm) or more. Stall depth less than 60" (1525mm) (panel width 58" 1475mm) may result in cutout location and installed unit interfering with mounting brackets.

* *Install accessories in illustrations 1-1/2" (38mm) minimum below grab bar, Grab bar must not overlap accessory flange*
Complies with 2010 ADA and 2009 ICC/ANSI A117.1.

Drawings are not to scale.

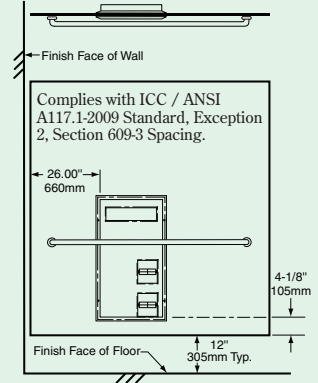
* Cutout for B-347, B-357

15-1/2" wide x 28-7/8" high 395 x 735mm
 1040505



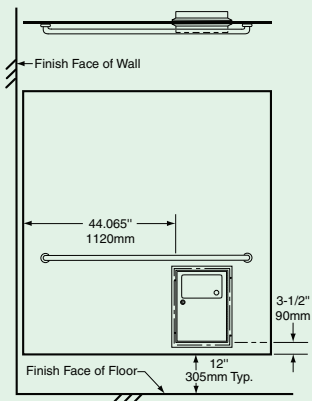
* Cutout for B-3471, B-34715, B-3571, B-35715

15-1/2" wide x 28-7/8" high 395 x 735mm
 1040509



* Cutout for B-354

11" wide x 15-1/2" high 280 x 395mm
 1040506

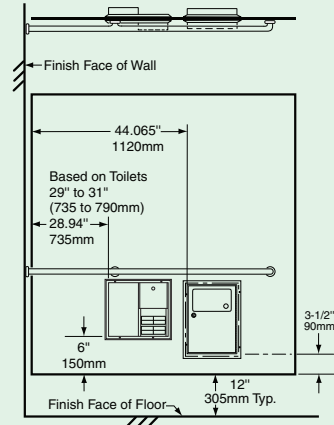


* Cutout for B-354

11" wide x 15-1/2" high 280 x 395mm

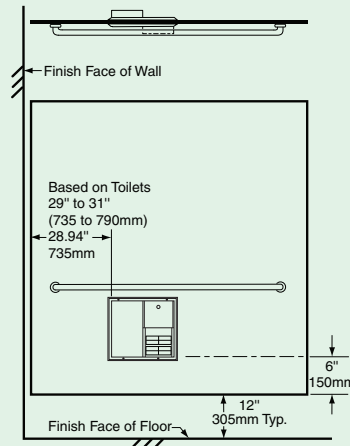
* Cutout for B-386

11-1/2" wide x 10-7/8" high 290 x 275mm
 1040508



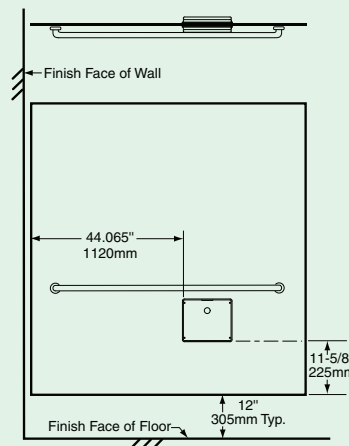
* Cutout for B-386

11-1/2" wide x 10-7/8" high 290 x 275mm
 1040507



* Cutout for B-4354

11" wide x 9-3/8" high 280 x 240mm
 1040577

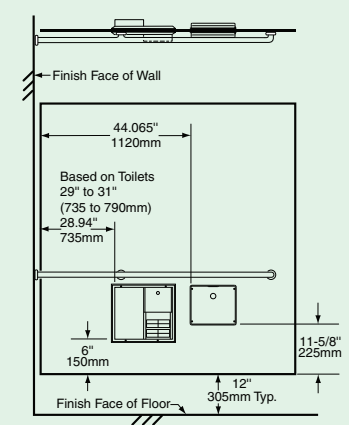


* Cutout for B-4354

11" wide x 9-3/8" high 280 x 240mm

* Cutout for B-386

11-1/2" wide x 10-7/8" high 290 x 275mm
 1040515



Advisory Bulletin



BUILDING VALUE SINCE 1906

TB-55 Locating Accessories Inside the Toilet Partition

Template: Locating Accessories Cutout Inside the Toilet Partition

Bobrick Cut Out Model # _____

Cutout Dimensions (if not Bobrick Model #): _____

