

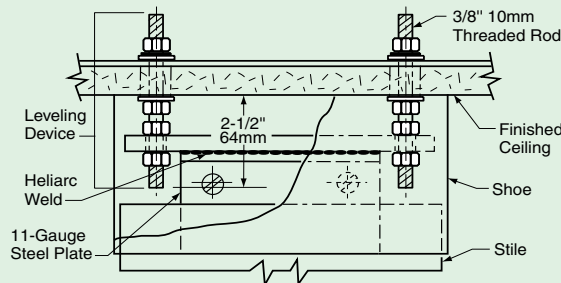
Advisory Bulletin



BUILDING VALUE SINCE 1906

TB-32 Suggested Mounting Systems for Ceiling-Hung Toilet Partitions

FRONT VIEW



Approximate Weight:

Laminated Plastic Partition — 295 lb

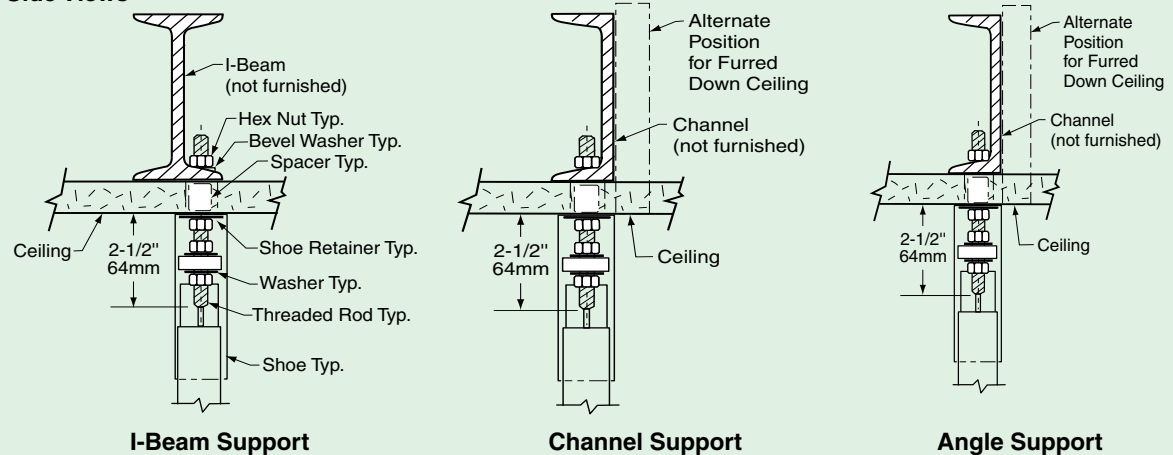
Solid Phenolic Partition — 275 lb

Provisions must be in the construction of the building to support ceiling-hung toilet partitions. Structure in ceiling, not furnished by Bobrick, must support at least 295 lb per laminated-plastic partition and 275 lb per solid-phenolic partition, and must be sufficiently rigid to withstand swinging motion of toilet partition doors and impact of doors against stiles. Some suggested mounting systems are shown below. Actual mounting system, including lateral bracing, if required, must be designed by the architect or structural engineer, and furnished by others.

Note: If adequate ceiling support cannot be provided, the floor and ceiling-anchored or overhead-braced toilet compartments are recommended.

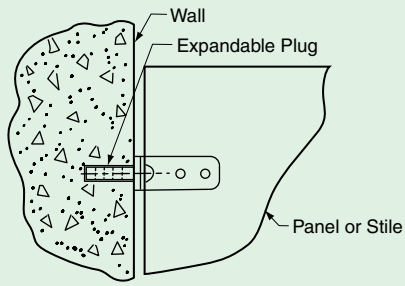
The stiles of Bobrick ceiling-hung toilet partitions are constructed with an 11-gauge steel core welded to a leveling device. Each leveling device includes threaded rods (2), hex nuts (6), spacers (2), flat washers (4), lock washers (4), shoe retainers (2), and expansion anchors (2). 4" (102mm) stainless steel shoe, which is furnished, covers the leveling device after installation is completed.

Side Views

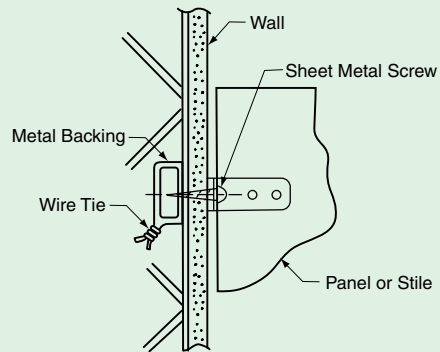


continued . . .

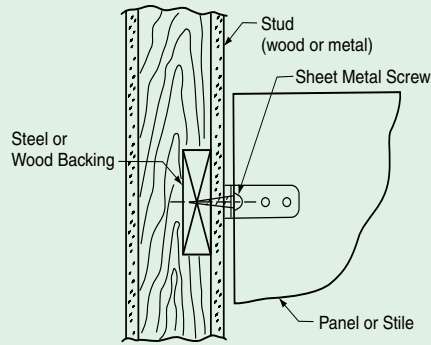
Recommended Methods for Attaching to Wall



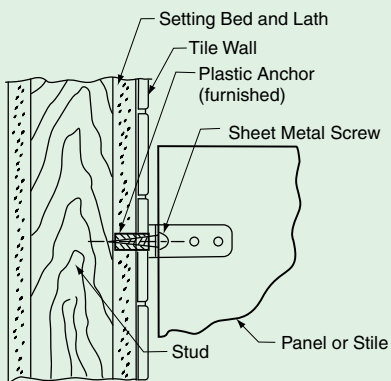
Masonry Wall



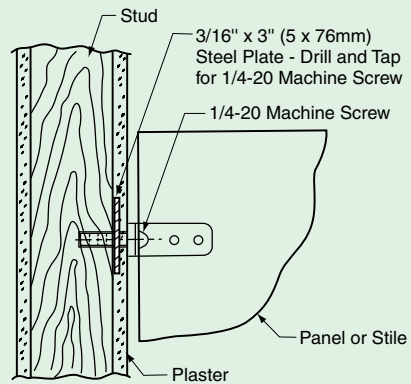
Sheet Metal Wall



Stud wall



Tile Wall with Setting Bed



Plaster on Stud Wall