

# INSTALLATION INSTRUCTIONS

## URINAL SCREEN

<b>CONTENTS</b>	<b>PAGE</b>
Urinal Screen with Heavy-Duty Hardware	2-8
Urinal Screen with Continuous Hardware	9-15

**In the United States: BOBRICK WASHROOM EQUIPMENT, INC.**

**Los Angeles:** 6901 Tujunga Ave., North Hollywood, CA 91605-6213; Tel: (818) 982-9600, Fax: (818) 503-1102

**New York:** 200 Commerce Drive, Clifton Park, NY 12065-1350; Tel: (518) 877-7444, Fax: (518) 877-5029,  
or e-mail: customerservice@bobrick.com

**In Canada: BOBRICK WASHROOM EQUIPMENT COMPANY**

45 Rolark Drive, Scarborough, Ontario M1R 3B1

• Eastern Canada: Tel: (877) 423-6555 • Fax: (877) 423-8555 • Western Canada: Tel: (877) 423-6444 • Fax: (877) 423-8444



**BUILDING VALUE SINCE 1906**

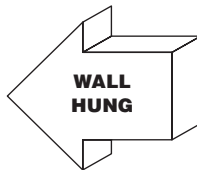
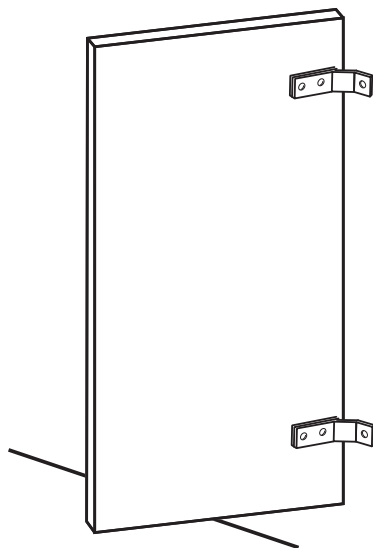
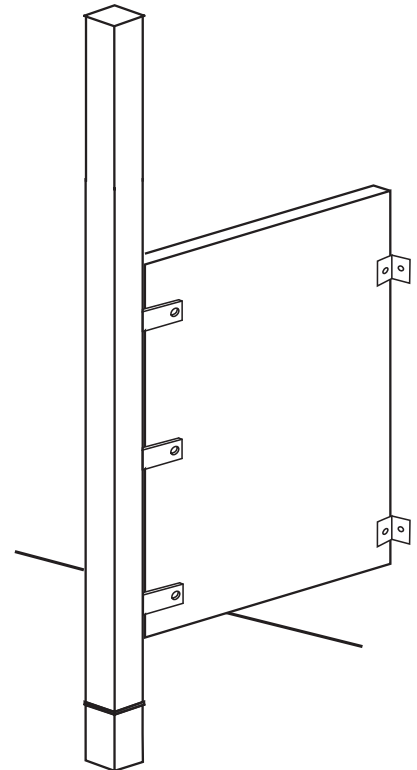
**BOBRICK.COM**

# INSTALLATION INSTRUCTIONS

## URINAL SCREENS

**IMPORTANT:**  
Storage and Handling Information on last page.  
Review these instructions thoroughly prior to  
installation.

**1033** Stainless Steel Edge  
**1043** High Pressure Laminate Edge  
**1083** Compact Laminate  
**1183** Class A Compact Laminate  
**1093** Solid Color Reinforced Composite



**1035** Stainless Steel Edge  
**1045** High Pressure Laminate Edge  
**1085** Compact Laminate  
**1185** Class A Compact Laminate  
**1095** Solid Color Reinforced Composite  
**1545** Plastic Laminated Edge



BUILDING VALUE SINCE 1906

# PREPARATION

## BEFORE YOU BEGIN...

These installation instructions cover wall hung urinal screens and post-to-ceiling urinal screens only.

For detailed instructions regarding installation of toilet partitions, floor anchored urinal screens or ceiling hung urinal screens please refer to one of the following:

- 1040-69
- 1080-69
- 1540-69
- 1080.67-69
- 1090.67-69
- 1040.65-69

## PRE-INSTALLATION

- A. Structural support in walls and floors is not furnished by Bobrick. Confirm that adequate backing is present in wall, ceiling and floors prior to installation.
- B. This installation booklet must be used with the Bobrick layout sheets.
- C. You may verify hardware received by cross-referencing the last page of the layout sheets against the box contents.

## INSTALLATION STEPS















- 1. Brackets and Screws..... Page 3
- 2. Post-to-Ceiling Urinal Screens ..... Page 4
- 3. Wall Hung Urinal Screens..... Page 7
- 4. Finishing and Cleanup ..... Page 8



Organize components with appropriate hardware.

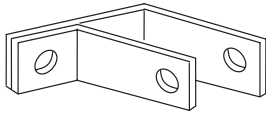
## RECOMMENDED TOOLS

*CAUTION: Be sure to use proper safety gear.*

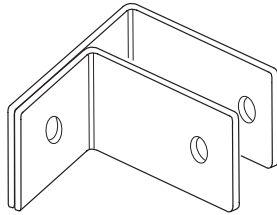
- 1.  Chalk Line
- 2.  Plumb-bob
- 3.  Masking Tape (for laying out holes on floors/walls/ceilings to be drilled)
- 4.  Tape Measure and Pencils
- 5.  Center Punch
- 6.  Electric and/or Battery-Powered Drill – 1/2" and 3/4" (13 and 19mm) Concrete Drill Bits
- 7.  Drill Bits  
1/16" to 1/4", numbered 1 to 60  
metric 1.0 to 7.0mm
- 8.  Screwdrivers/Screwdriver Bits  
flathead and phillips, #1, #2 and #3
- 9.  Shims
- 10.  Adjustable Supports  
1-1/2" to 12" (40–105mm)
- 11.  Level
- 12.  Wrench – Adjustable or 9/16" (14mm) open end (2 req'd. for adjusting hex nuts on anchors)
- 14.  Hack Saw
- 15.  Hammer

# BRACKETS AND SCREWS

## F-brackets

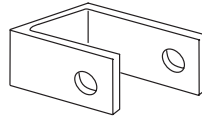


#1000353  
Panel to Wall

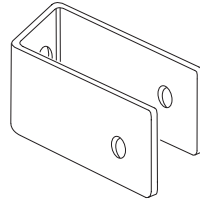


#1000975  
Panel to Wall 1080 Series

## U-brackets

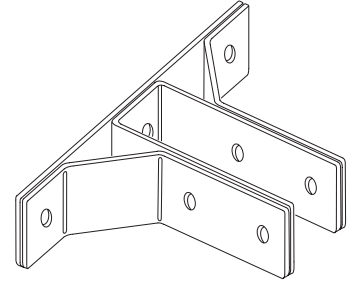


#1000356  
Panel to Stile

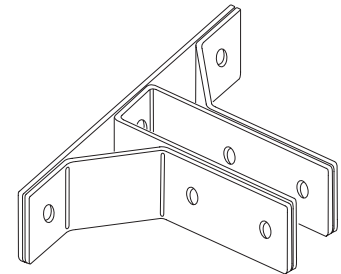


#1000972  
Panel to Stile 1080 Series

## U-brackets

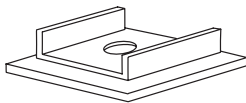


#1000357  
1045 series



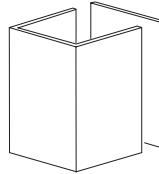
#1002956  
1085 series

## Base Plate



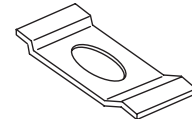
#1000157  
SPC Hardware

## Shoe



#1000158 Front Plate  
#1000159 Rear Plate  
SPC Hardware

## Shoe Retainer



#1000103  
SPC Hardware



#1002500  
#12 x 3/4" 1040 Bracket to Screen



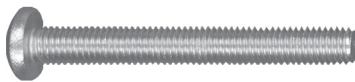
#1002499  
#12 x 7/16" Bracket to Panel/  
Bracket to Stile 1080 Series



#1000050  
#10-32 x 3/8" Phillips  
SPC Bracket to Post



#1000133  
Acorn Nut - 10-32  
Through-Bolt Urinal Screen



#1000134  
#10-32 x 1-3/4" (44mm) Phillips  
Through-Bolt Urinal Screen 1040 Series



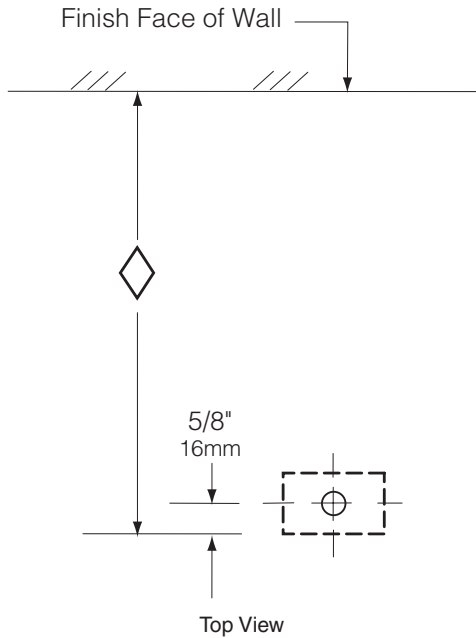
#1002966  
#10-32 x 1-1/4" (38mm) Pin-in-Head Torx Screw  
Screen - 1080 Series



#1002495  
#12 x 2" (50mm)  
Wall Screws

# STEP 1 POST-TO-CEILING URINAL SCREENS

## LAYOUT EXAMPLE



- Refer to Bobrick layout sheets for distance location on screen depth.
- From back wall, measure and mark the location of the edge of the screen.
- Centerline of floor anchor from edge of screen is 5/8" (16mm).
- Be sure, by plumb line, that floor and ceiling holes are in line.

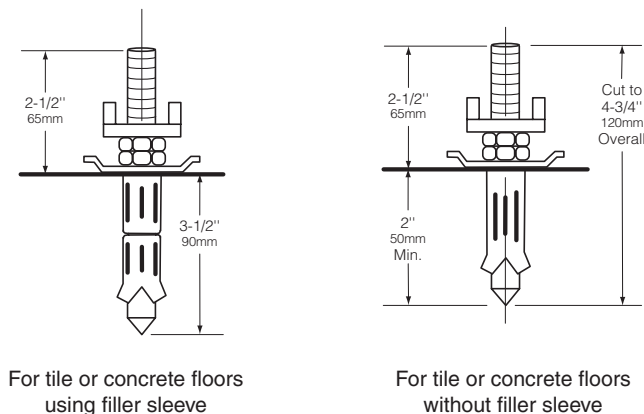
**LEGEND:** Obtain Dimension from Bobrick Layout Sheet.  
 Mounting holes to be drilled.

# STEP 2 INSTALL ALL ANCHORS

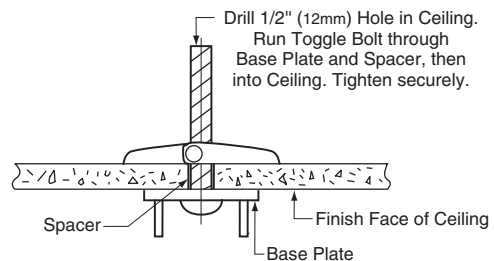
## FLOOR AND CEILING ANCHORS

- Drill 3/8" (9.5mm) diameter hole to depth shown. Remove all loose material from hole.
- Insert anchor into drilled hole. Stud to be 2-1/2" (65mm) above floor.
- Use 9/16" (14mm) wrench to tighten hex nut until anchor is expanded. Make sure shoe retainer is in proper position to accept shoe. *Angled ends to face front and rear of urinal screen.*
- Install second hex nut.
- Place base plate over threaded rod.
- NOTE: Wood-floor anchors are available upon request.*

**Fig. 2a: Detail of Floor Anchor.**

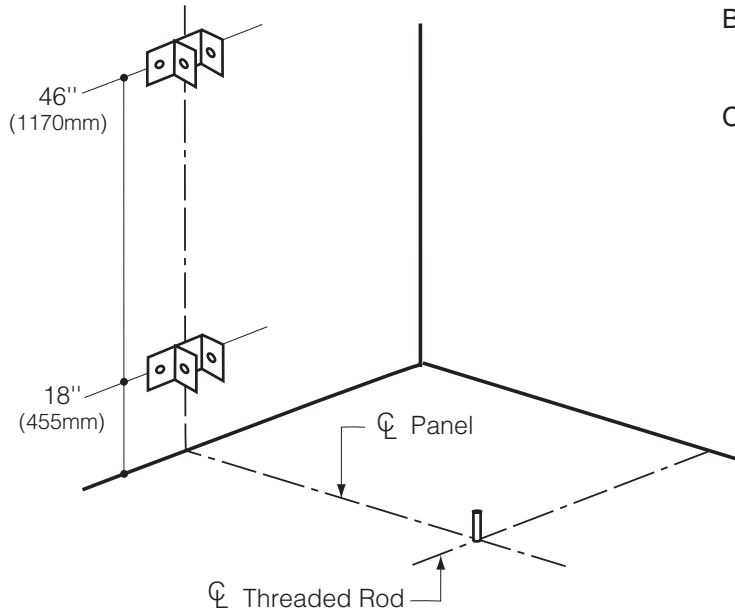


**Fig. 2b: Detail of Ceiling Anchor.**



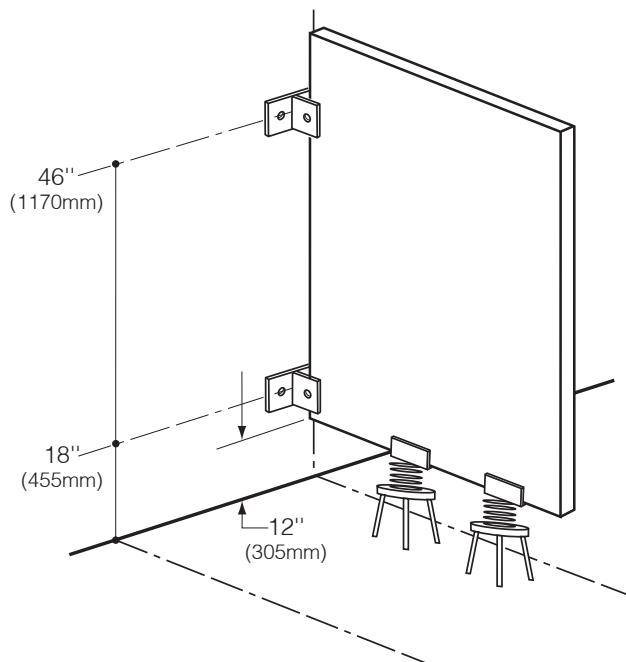
## STEP 3 POST-TO-CEILING URINAL SCREENS

**Fig. 3a: Layout Walls and Install Brackets.**



- Using the wall brackets as templates, measure and mark the location of all mounting holes, according to dimensions shown in illustrations (Fig. 3a, 3b, 3c).
- Use #19 (.166) drill bit for 2" (50mm) deep pilot holes into adequate wall backing.
- Secure wall brackets with #1002495 screws.

**Fig. 3b: Put Screen in Place.**

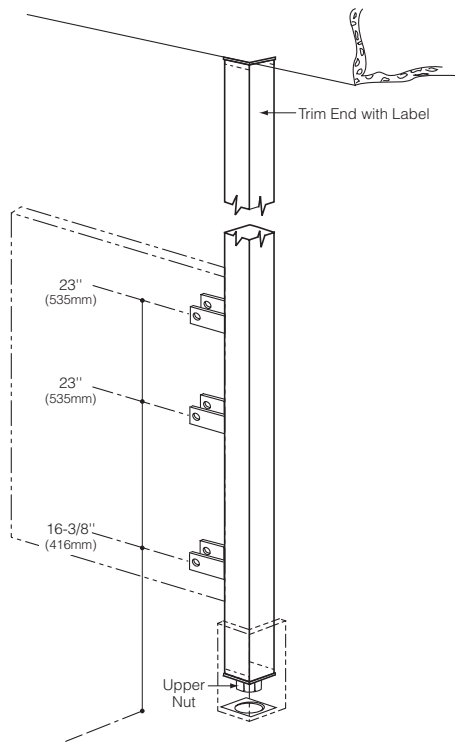


Set panel on support(s) and in brackets.

**Do Not Fasten**

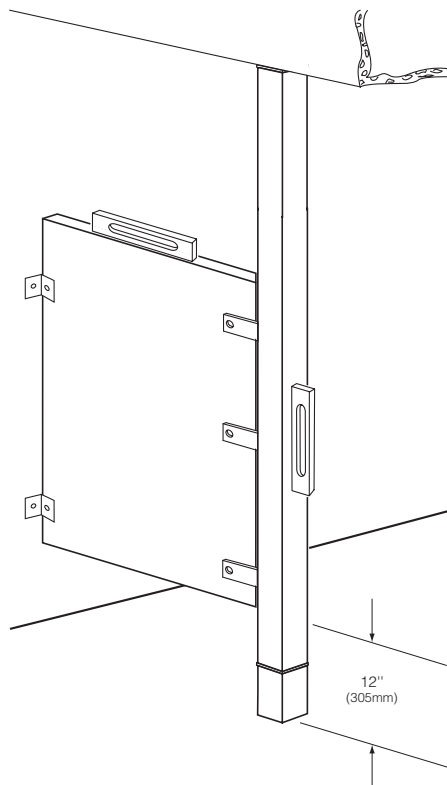
## STEP 3 POST-TO-CEILING URINAL SCREENS

Fig. 3c: Install Post.



- Post is furnished in 10' -0" (305cm) lengths. Post is to be field cut on end with label attached. Follow instructions on label to cut post to your job conditions.
- Fasten three brackets with No. 10 x 3/8" (10mm) screws. Be sure short end of post is towards floor to assure proper mounting of panel to brackets.
- Place post over floor base plate. Be sure brackets are on panel side. Turn upper nut raising post to engage on ceiling base plate.  
**Caution: Use care when raising post to prevent damage to ceiling.**
- Install shoe with No. 6 x 1/4" (6mm) screws. Screws to be on panel side of post. Be sure to engage retainer at floor.

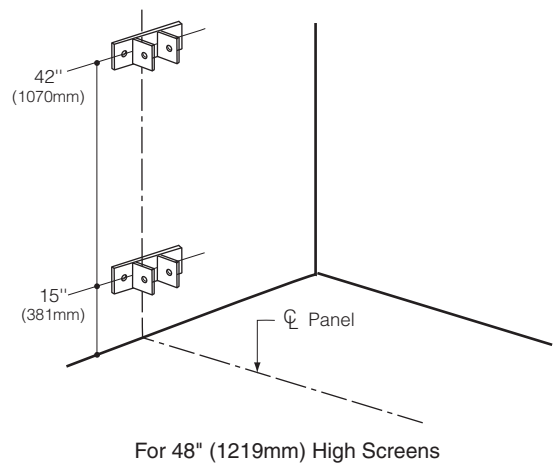
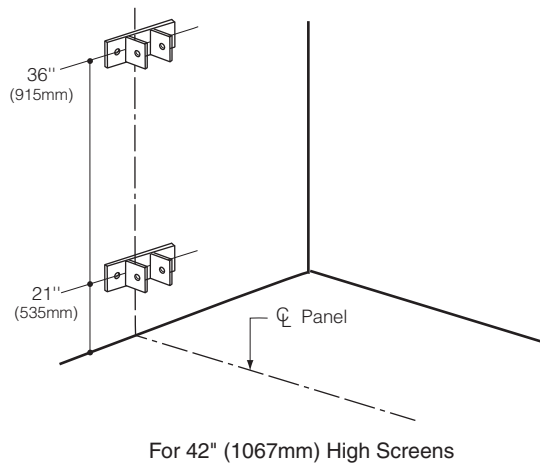
Fig. 3d: Attach Panel.



Position panel so that it contacts the heads of the screws that attach the brackets to the post. Drill No. 19 holes x 3/4" (19mm) deep. Fasten panel to brackets on post with #1002499 screws for 1/2" (12mm) panels and #1002500 for 1" (25mm) panels. Make sure that post is plumb and straight. Drill pilot holes and fasten wall brackets to panel.

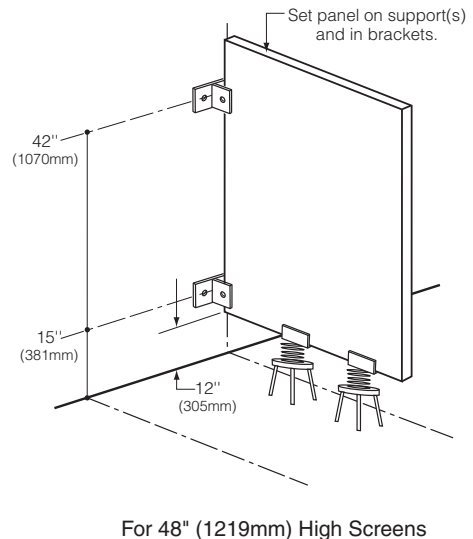
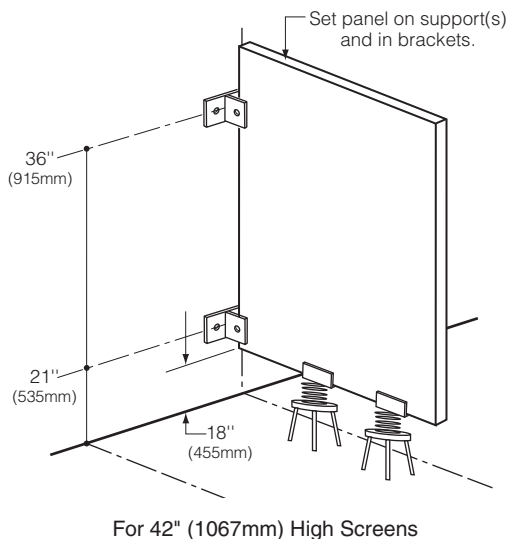
## STEP 1 WALL HUNG URINAL SCREENS

Fig. a: Layout Walls and Install Brackets.



- Using the wall brackets as templates, measure and mark the location of all mounting holes, according to dimensions shown in illustrations (Fig. a, b).
- Use #19 (.166) drill bit for 2" (50mm) deep pilot holes into adequate wall backing.
- Secure wall brackets with #12 x 2" screws.

Fig. b: Put Screen in Place.



- Position panel so that it contacts the heads of the screws that attach the brackets to the wall.
- Using brackets as templates, drill #19 through the panel.
- Fasten panel to brackets with #10-32 x 1-1/4" (#10-32 x 1-3/4" 1040 only) screw and #10-32 acorn nut.

## FINISHING AND CLEANUP

- Remove any exposed labels from the components.
- Clean surfaces as needed. **CAUTION: Do not use cleaners containing acid on Bobrick toilet compartments. For example, tile cleaners containing acid may attack the stainless steel hardware. For Bobrick recommendations, refer to Bobrick Advisory Bulletins Nos. TB-21 and TB-60.**

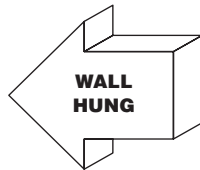
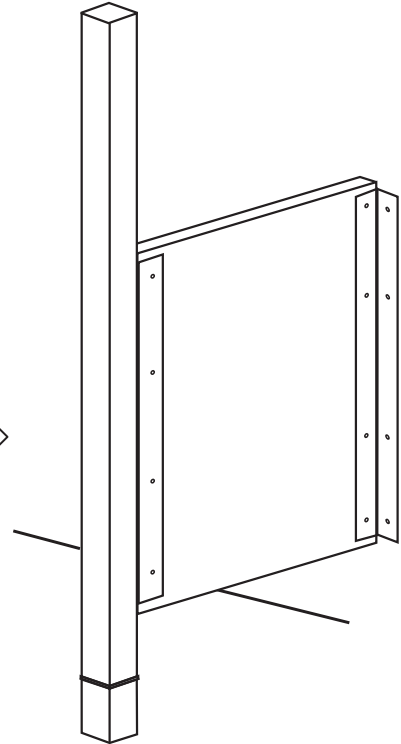


# INSTALLATION INSTRUCTIONS

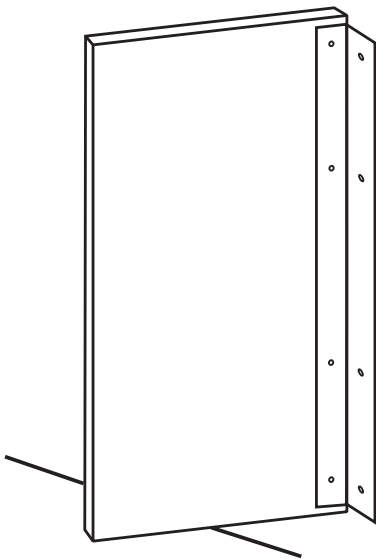
## URINAL SCREENS - WITH CONTINUOUS HARDWARE

**IMPORTANT:**  
Storage and Handling Information on last page.  
Review these instructions thoroughly prior to  
installation.

**1033.65** Stainless Steel Edge  
**1043.65** High Pressure Laminate Edge  
**1083.67** Compact Laminate  
**1183.67** Class A Compact Laminate  
**1093.67** Solid Color Reinforced Composite



**1035.65** Stainless Steel Edge  
**1045.65** High Pressure Laminate Edge  
**1085.67** Compact Laminate  
**1185.67** Class A Compact Laminate  
**1095.67** Solid Color Reinforced Composite



BUILDING VALUE SINCE 1906

# PREPARATION

## BEFORE YOU BEGIN...

These installation instructions cover wall hung urinal screens and post-to-ceiling urinal screens only.

For detailed instructions regarding installation of toilet partitions, floor anchored urinal screens or ceiling hung urinal screens please refer to one of the following:

- 1080.67-69
- 1090.67-69
- 1040.65-69
- 1030.65-69

## PRE-INSTALLATION.

- A. Structural support in walls and floors is not furnished by Bobrick. Confirm that adequate backing is present in wall, ceiling and floors prior to installation.
- B. This installation booklet must be used with the Bobrick layout sheets.
- C. You may verify hardware received by cross-referencing the last page of the layout sheets against the box contents.

## INSTALLATION STEPS.















- 1. Brackets and Screws..... Page 11
- 2. Post-to-Ceiling Urinal Screens..... Page 12
- 3. Wall Hung Urinal Screens..... Page 15
- 4. Finishing and Cleanup ..... Page 15



Organize components with appropriate hardware.

## RECOMMENDED TOOLS.

*CAUTION: Be sure to use proper safety gear.*

- 1.  Chalk Line
- 2.  Plumb-bob
- 3.  Masking Tape (for laying out holes on floors/walls/ceilings to be drilled)
- 4.  Tape Measure and Pencils
- 5.  Center Punch
- 6.  Electric and/or Battery-Powered Drill – 1/2" and 3/4" (13 and 19mm) Concrete Drill Bits
- 7.  Drill Bits  
1/16" to 1/4", numbered 1 to 60  
metric 1.0 to 7.0mm
- 8.  Screwdrivers/Screwdriver Bits  
flathead and phillips, #1, #2 and #3
- 9.  Shims
- 10.  Adjustable Supports  
1-1/2" to 12" (40-105mm)
- 11.  Level
- 12.  Wrench – Adjustable or 9/16" (14mm) open end (2 req'd. for adjusting hex nuts on anchors)
- 14.  Hack Saw
- 15.  Hammer

# BRACKETS AND SCREWS

## Angle Bracket



#1001371  
Panel to Perpendicular Wall, 58"

## Angle Bracket



#1002640  
Urinal Screen  
Wall Bracket, 42"

## U-Channel



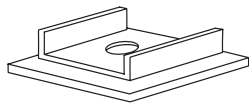
#1001368  
1/2" Panel to Post-to-Ceiling

## U-Channel



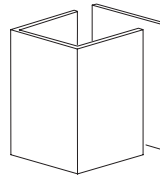
#1001365  
1" Panel to Post-to-Ceiling

## Base Plate



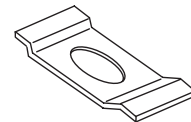
#1000157  
SPC Hardware

## Shoe



#1000158 Front Plate  
#1000159 Rear Plate  
SPC Hardware

## Shoe Retainer



#1000103  
SPC Hardware



#1002500  
#12 x 3/4" 1040 Bracket to Screen



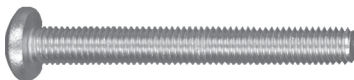
#1002499  
#12 x 7/16" Bracket to Panel/  
Bracket to Stile 1080 Series



#1000050  
#10-32 x 3/8" Phillips  
SPC Bracket to Post



#1000133  
Acorn Nut - 10-32  
Through-Bolt Urinal Screen



#1000134  
#10-32 x 1-3/4" (44mm) Phillips  
Through-Bolt Urinal Screen 1040 Series



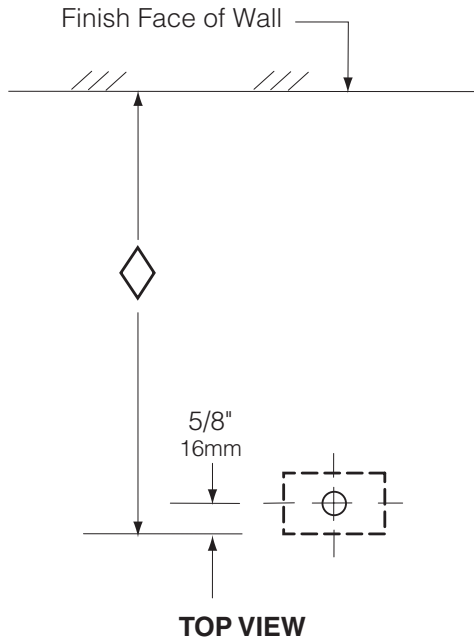
#1002966  
#10-32 x 1-1/4" (38mm) Pin-in-Head Torx Screw  
Screen - 1080 Series



#1002495  
#12 x 2" (50mm)  
Wall Screws

# STEP 1 POST-TO-CEILING URINAL SCREENS

## LAYOUT EXAMPLE.



- Refer to Bobrick layout sheets for distance location on screen depth.
- From back wall, measure and mark the location of the edge of the screen.
- Centerline of floor anchor from edge of screen is 5/8" (16mm).
- Be sure, by plumb line, that floor and ceiling holes are in line.

**LEGEND:** Obtain Dimension from Bobrick Layout Sheet.  
 Mounting holes to be drilled.

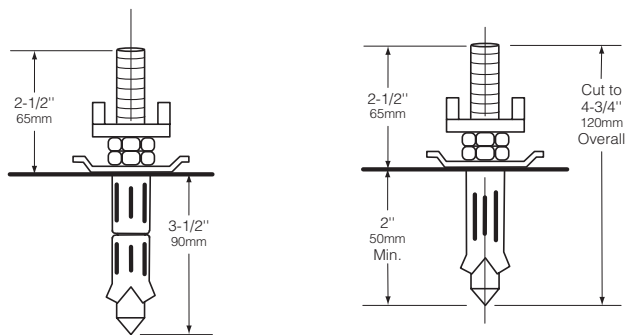
# STEP 2 INSTALL ALL ANCHORS

## FLOOR AND CEILING ANCHORS.

- Drill 3/8" (9.5mm) diameter hole to depth shown. Remove all loose material from hole.
- Insert anchor into drilled hole. Stud to be 2-1/2" (65mm) above floor.
- Use 9/16" (14mm) wrench to tighten hex nut until anchor is expanded. Make sure shoe retainer is in proper position to accept shoe. *Angled ends to face front and rear of urinal screen.*
- Install second hex nut.
- Place base plate over threaded rod.

*NOTE: Wood-floor anchors are available upon request.*

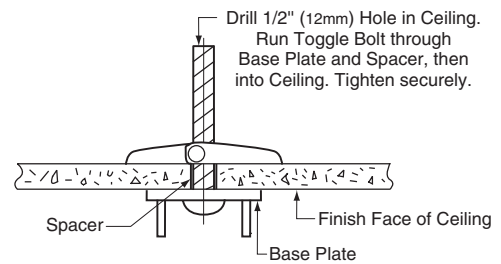
**Fig. 2a: Detail of Floor Anchor.**



For tile or concrete floors  
using filler sleeve

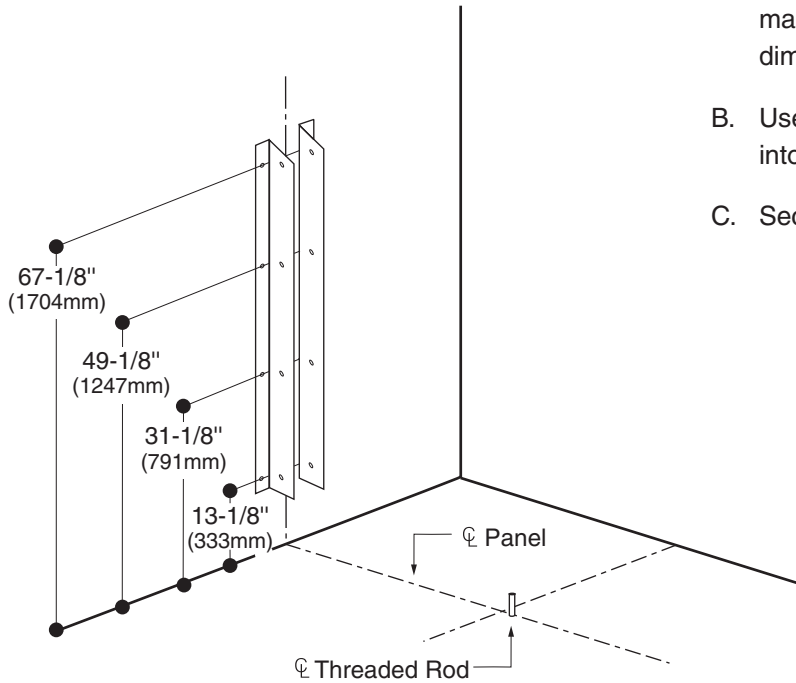
For tile or concrete floors  
without filler sleeve

**Fig. 2b: Detail of Ceiling Anchor.**



## STEP 3 POST-TO-CEILING URINAL SCREENS

Fig. 3a: Layout Walls and Install Brackets.

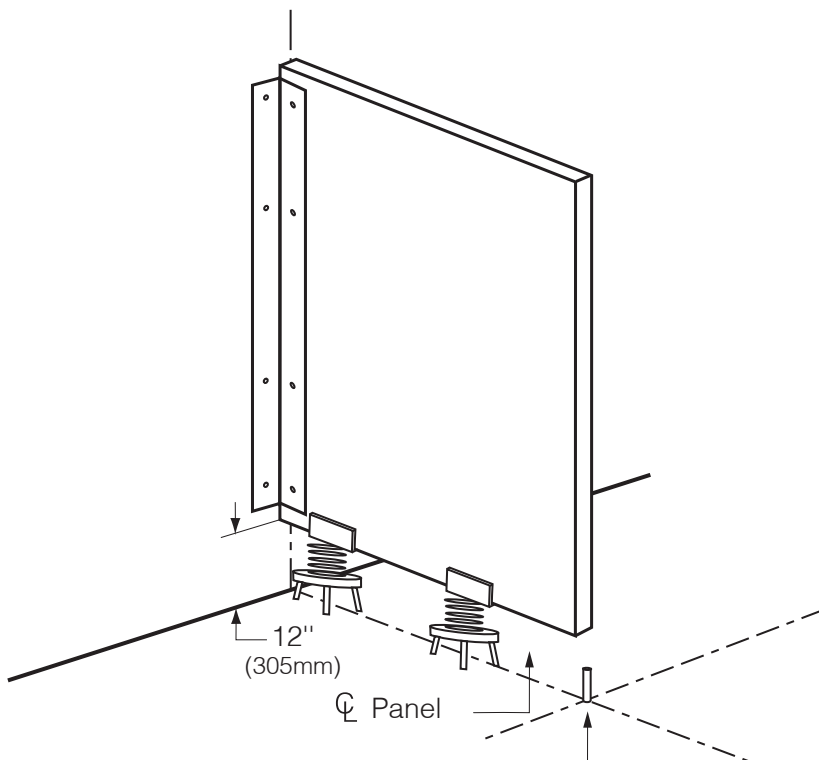


- Using the wall brackets as templates, measure and mark the location of all mounting holes, according to dimensions shown in illustrations (Fig. 3a, 3b, 3c).
- Use #19 (.166) drill bit for 2" (50mm) deep pilot holes into adequate wall backing.
- Secure wall brackets with #1002495 screws.

Fig. 3b: Put Screen In

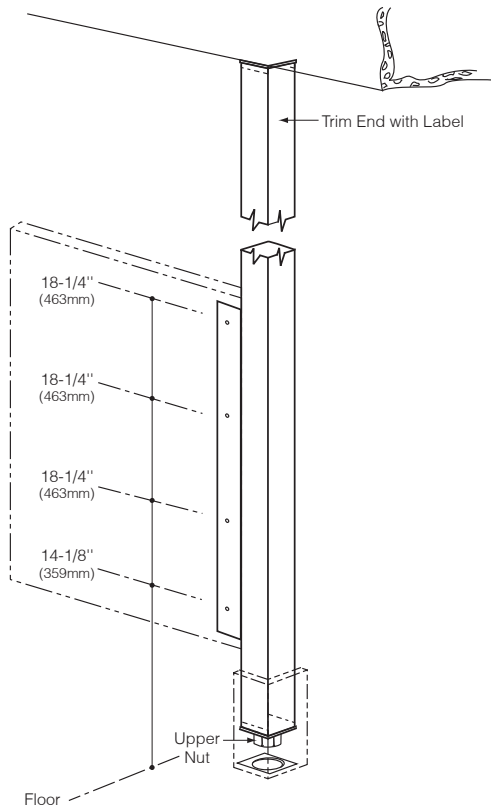
Set panel on support(s) and in brackets.

**Do Not Fasten**



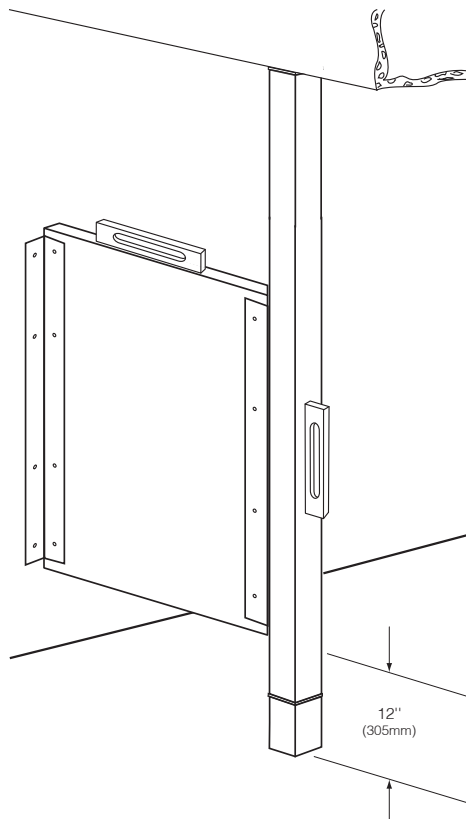
## STEP 3 POST-TO-CEILING URINAL SCREENS

Fig. 3c: Install



- A. Post is furnished in 10' -0" (305cm) lengths. Post is to be field cut on end with label attached. Follow instructions on label to cut post to your job conditions.
- B. Fasten U-channel with No. 10 x 3/8" (10mm) screws. Be sure short end of post is towards floor to assure proper mounting of panel to brackets.
- C. Place post over floor base plate. Be sure brackets are on panel side. Turn upper nut raising post to engage on ceiling base plate.  
**Caution: Use care when raising post to prevent damage to ceiling.**
- D. Install shoe with No. 6 x 1/4" (6mm) screws. Screws to be on panel side of post. Be sure to engage retainer at floor.

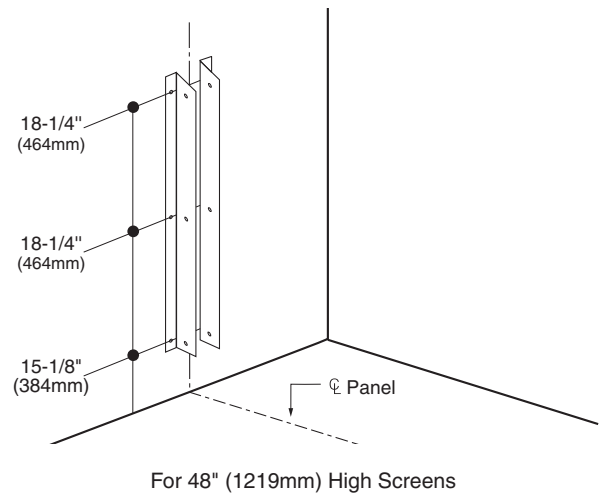
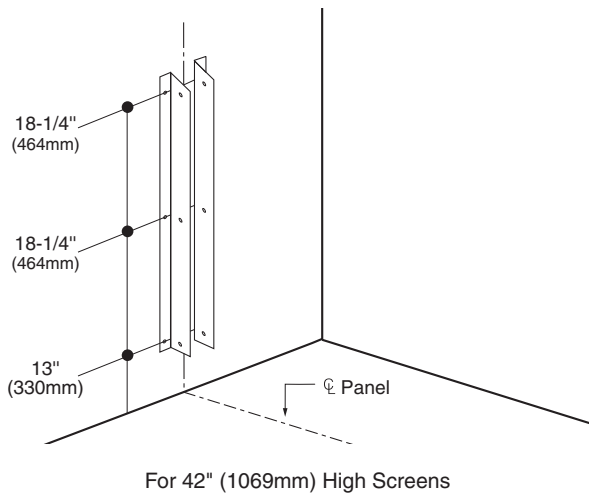
Fig. 3d: Attach Panel



Position panel so that it contacts the heads of the screws that attach the U-channel to the post. Drill No. 19 holes x 3/4" (19mm) deep. Fasten panel to brackets on post with #1002499 screws for 1/2" (12mm) panels and #1002500 for 1" (25mm) panels. Make sure that post is plumb and straight. Drill pilot holes and fasten wall brackets to panel.

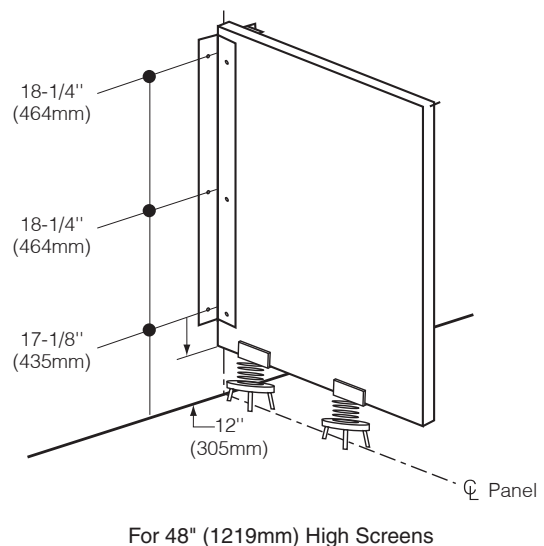
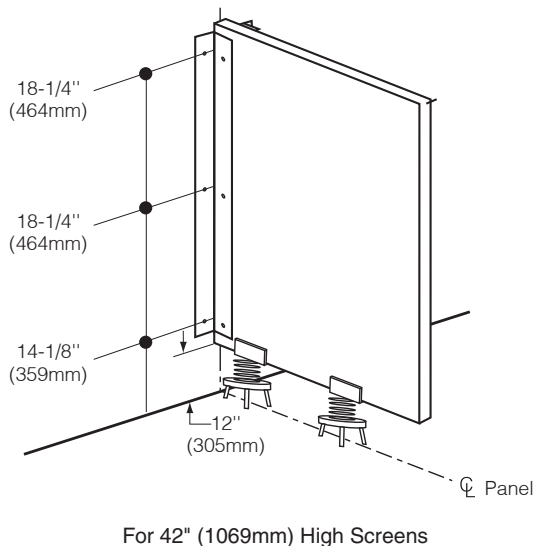
## STEP 1 WALL HUNG URINAL SCREENS

Fig. a: Layout Walls and Install Brackets.



- Using the wall brackets as templates, measure and mark the location of all mounting holes, according to dimensions shown in illustrations (Fig. a, b).
- Use #19 (.166) drill bit for 2" (50mm) deep pilot holes into adequate wall backing.
- Secure wall brackets with #12 x 2" screws.

Fig. b: Put Screen in Place.



- Position panel so that it contacts the heads of the screws that attach the brackets to the wall.
- Using brackets as templates, drill #19 through the panel.
- Fasten panel to brackets with #10-32 x 1-1/4" (#10-32 x 1-3/4" 1040 only) screw and #10-32 acorn nut.

## FINISHING AND CLEANUP

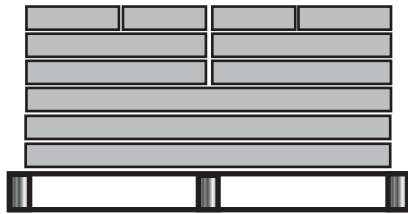
- Remove any exposed labels from the components.
- Clean surfaces as needed. **CAUTION:** Do not use cleaners containing acid on Bobrick toilet compartments. For example, tile cleaners containing acid may attack the stainless steel hardware. For Bobrick recommendations, refer to Bobrick Advisory Bulletins Nos. TB-21 and TB-60.

# Important Toilet Partition Storage and Handling Information

Store in a clean, dry area. Do not store outside.  
Move material to installation area 72 hours before installation.  
Always store material flat with weight evenly supported.

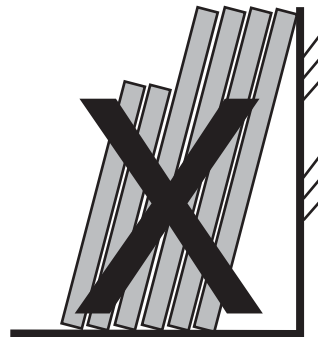
## Toilet Partition Stacking

**Do This**



**Stack Flat**

**Don't Do This**



**Stack Upright**

Failure to follow these instructions may result in warped material which is not covered by Bobrick's warranty.



**BUILDING VALUE SINCE 1906**

**BOBRICK.COM**

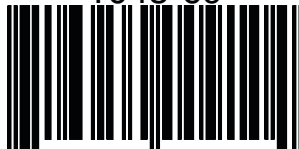
**In the United States: BOBRICK WASHROOM EQUIPMENT, INC.**

200 Commerce Drive, Clifton Park, NY 12065-1350, Telephone: (518) 877-7444 • FAX: 518-877-5029  
11611 Hart Street, North Hollywood, CA 91605-5882: (818) 982-9600 • FAX: 818-503-1102  
or email [support@bobrick.zendesk.com](mailto:support@bobrick.zendesk.com)

**In Canada: BOBRICK WASHROOM EQUIPMENT COMPANY**

45 Rolark Drive, Scarborough, Ontario M1R 3B1 • FAX: (877) 423-8555

1045-69



7 16954 00910 4