

TB-55 Locating Bobrick Accessories Inside the Toilet Partition

Partition-Mounted Accessories

2010 ADA and 2009, 2017 ICC A117.1 Standards:

In accessible toilet compartments designed to accommodate people using wheelchairs, canes, crutches or walkers, accessories should be mounted so the operating features comply with ADA, ICC A117.1 accessibility standards, or state, local building codes whichever applies.

Roll toilet tissue dispensers that do not control delivery or do not allow continuous paper flow are required in all accessible toilet compartments. The 2010 ADA Standards and an exception in the 2017 ICC A117.1 Standards require that roll toilet tissue dispensers must be installed with the dispenser centerline 7" (180mm) minimum and 9" (230mm) maximum in front of the leading edge of the toilet. The 2009, 2017 ICC A117.1 Standards establish a different measurement procedure, locating the toilet tissue dispensers' outlet between 24" (610mm) minimum and 42" (1065mm) maximum from the rear wall of the toilet compartment. The 2009, 2017 ICC A117.1 Standards locate the outlet of the dispenser no lower than 18" (455mm) above the finish floor. The 2010 ADA Standards allow the outlet on the roll toilet tissue dispenser to be mounted as low as 15" (380mm) above the finish floor.

Sanitary napkin disposals are recommended in all women's toilet compartments. They should be within reach from a sitting position, and it is recommended that they be mounted below grab bars.

Toilet seat cover dispensers are an optional hygienic amenity that can easily be provided in all toilet compartments. The opening for toilet seat covers needs to be mounted between 15" (380mm) and 48" (1220mm) above the floor, in an accessible location in the accessible compartment.

Combination units installed in side walls or partitions with grab bars can organize and unify installations by incorporating several accessories at one convenient location, such as toilet tissue dispensers, toilet-seat-cover dispensers, and sanitary napkin disposals improving accessibility.

The 2009, 2017 ICC A117.1 Standards include Exception 2, Section 609.3 Spacing that allows recessed units behind grab bars with less than 1 1/2" (38mm) absolute wall clearance. Note that if compliance with the 2010 ADA Standards is a concern, specify and install horizontal combination dispenser-disposal units or separate recessed or surface-mounted accessories a minimum of 1 1/2" (38mm) below the horizontal grab bar.

Bobrick recommends installing a B-687 bumper to prevent impact of an inswing door with partition-mounted accessories. The B-687 bumper has a cushioned tip that projects 2" (50mm) and a stainless steel base with satin finish to match Bobrick toilet compartment hardware. This bumper can also be used to protect finished walls from outswing doors on accessible corner or alcove toilet compartments.

Bobrick Standard Partition-Mounted Accessories:

Accessories in a toilet partition should be positioned to be within easy reach from the toilet. All accessories should be accessible on a side wall or partition.

Bobrick will provide cutouts for partition-mounted accessories in toilet partition panels as follows:

Bobrick's Standard Cutouts (Cutout location on page 3, 4 and 5):

Cutouts are positioned to accommodate toilet bowls projecting from rear wall 29" to 31" (735 to 785mm) to meet 2010 ADA and 2009, 2017 ICC A117.1 Standards for roll toilet tissue dispensers.

- Any toilet bowls out of the standard range 29" to 31" (735 to 785mm), will not meet accessibility standards and will be considered a special accessory cutout.
- Specifying the cutout location and dimensions is the responsibility of the architect and designer. Please review 2010 ADA and 2009, 2017 ICC A117.1 Standards and your local building codes for product placement.

Special Accessory Cutouts (Use template on page 6 to order special cutouts):

Advise Customer Service prior to order placement when there are special cutouts required. The following conditions will require special cutouts:

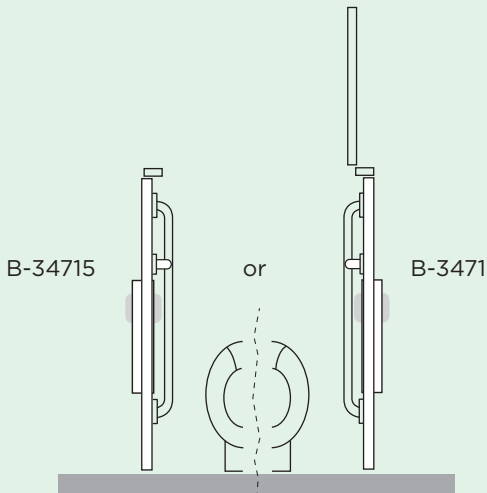
- Accessory position shown on pages 3, 4 and 5 is not the desired location.
- Toilet bowl sizes are not within 29" to 31" (735 to 785mm) range.
- Special cut out for Non-Bobrick units available for PRIVADA® Cubicles only. Special cut out fee \$50.00 per cut out.

Advisory Bulletin



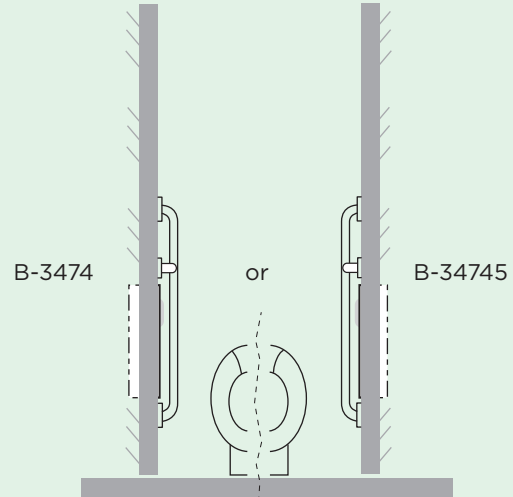
BUILDING VALUE SINCE 1906

B-3471 Partition-Mounted



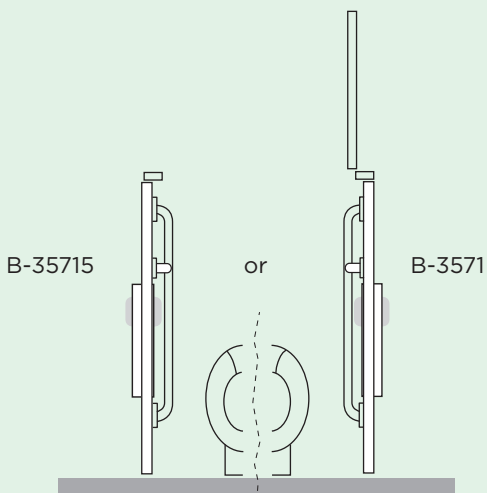
Permitted in 2009, 2017 ICC A117.1
Accessibility Standards Exception 2,
Section 609.3 Spacing

B-3474 Recessed



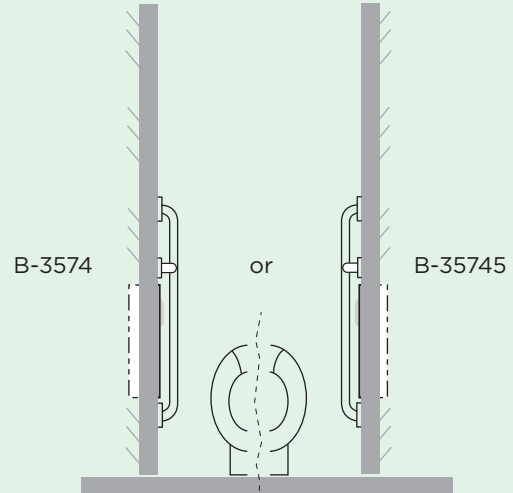
Permitted in 2009, 2017 ICC A117.1
Accessibility Standards Exception 2,
Section 609.3 Spacing

B-3571 Partition-Mounted



Permitted in 2009, 2017 ICC A117.1
Accessibility Standards Exception 2,
Section 609.3 Spacing

B-3574 Recessed



Permitted in 2009, 2017 ICC A117.1
Accessibility Standards Exception 2,
Section 609.3 Spacing

Standard Position of Cutouts in Panel for Partition Mounted Accessories

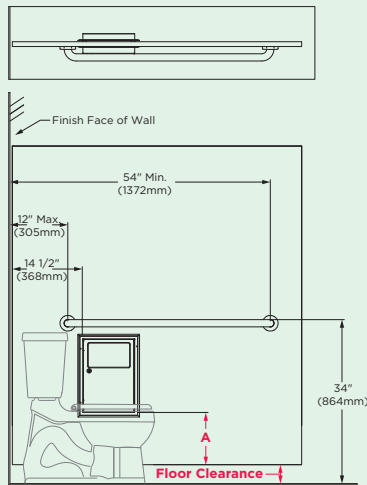
Designer's Notes:

1. Illustrations, dimensions and applications shown are advisory only; all installations must conform to local codes. Advise Customer Service when different location is preferred.
2. Bobrick standard cutouts will be positioned to accommodate toilet bowl sizes ranging from 29" to 31" (736 to 787mm) to meet code for all toilet tissue dispensers. Cutout for Bobrick B-386, B-3471, B-3571, B-34715, and B-35715 are affected.
3. Dimensions shown to finished wall include a nominal 1/2" (13mm) wall gap.
4. Use Bobrick straight grab bars 42" (1067mm) or longer with these toilet partition panel-mounted units.
5. Bobrick units B-3471, B-3571, B-34715, and B-35715 have one side flush against partition to allow clearance for a grab bar across front of unit in one partition. Comply with ADA, ICC A117.1 accessibility standards, or state, local building codes whichever applies. Consult local codes for toilet partition clearance requirements. NOT ADA COMPLIANT

Drawings are not to scale.

* 1" (25mm) AFF is applicable for 3080/3180 Series and Evolve Max only.

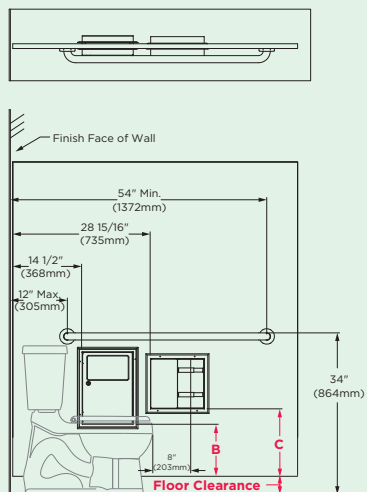
** 4"(102mm) AFF is applicable for PRIVADA® Cubicles Only



Cutout for Bobrick Model B-354

11" wide x 15 1/2" high (280mm x 395mm)
Drawing Number 1040506

Floor Clearance	A
1" (25mm) AFF*	13 3/4" (349mm)
4" (102mm) AFF**	10 3/4" (273mm)
4 1/2" (114mm) AFF	10 1/4" (260mm)
9" (229mm) AFF	5 3/4" (146mm)
12" (305mm) AFF	2 3/4" (70mm)



Cutout for Bobrick Model B-354

11" wide x 15 1/2" high (280mm x 395mm)
Drawing Number 1040506

Cutout for Bobrick Model B-386

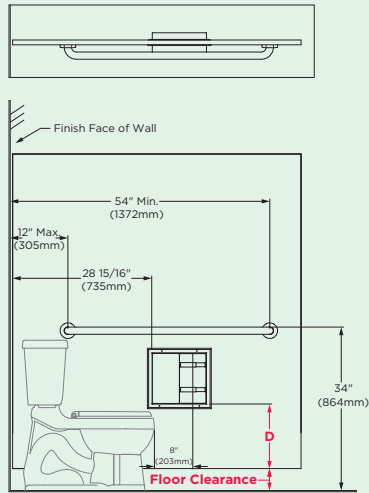
11 1/2" wide x 10 7/8" high (290mm x 275mm)
Drawing Number 1040508

Floor Clearance	B (B-354)	C (B-386)
1" (25mm) AFF*	13 3/4" (349mm)	17" (432mm)
4" (102mm) AFF**	10 3/4" (273mm)	14" (356mm)
4 1/2" (114mm) AFF	10 1/4" (260mm)	13 1/2" (343mm)
9" (229mm) AFF	5 3/4" (146mm)	9" (229mm)
12" (305mm) AFF	2 3/4" (70mm)	12" (305mm)

Advisory Bulletin



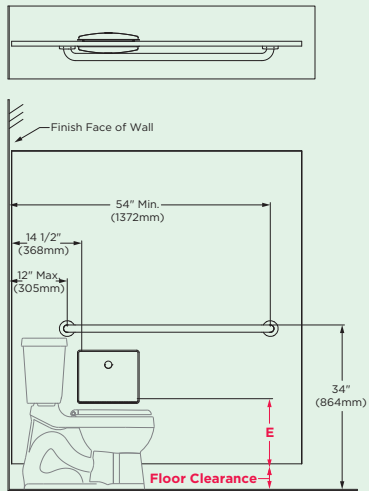
BUILDING VALUE SINCE 1906



Cutout for Bobrick Model B-386

11 1/2" wide x 10 7/8" high (290mm x 275mm)
Drawing Number 1040507

Floor Clearance	D
1" (25mm) AFF*	17" (432mm)
4" (102mm) AFF**	14" (356mm)
4 1/2" (114mm) AFF	13 1/2" (343mm)
9" (229mm) AFF	9" (229mm)
12" (305mm) AFF	6" (152mm)



Cutout for Bobrick Model B-4354

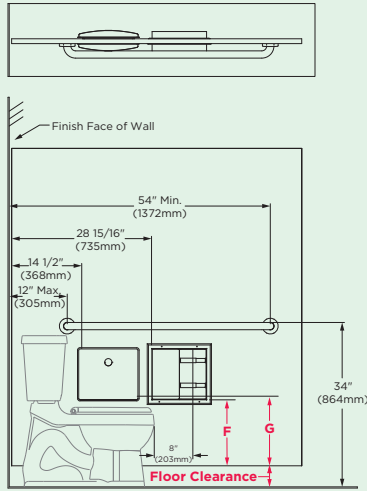
11" wide x 9 3/8" high (280mm x 240mm)
Drawing Number 1040577

Floor Clearance	E
1" (25mm) AFF*	17 3/4" (451mm)
4" (102mm) AFF**	14 3/4" (375mm)
4 1/2" (114mm) AFF	14 1/4" (362mm)
9" (229mm) AFF	9 3/4" (248mm)
12" (305mm) AFF	6 3/4" (170mm)

Advisory Bulletin



BUILDING VALUE SINCE 1906



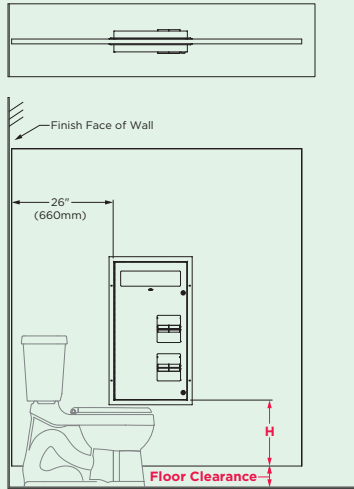
Cutout for Bobrick Model B-4354

11" wide x 9 3/8" high (280mm x 240mm)
Drawing Number 1040577

Cutout for Bobrick Model B-386

11 1/2" wide x 10 7/8" high (290mm x 275mm)
Drawing Number 1040507

Floor Clearance	F (B-386)	G (B-4354)
1" (25mm) AFF*	17" (432mm)	17 3/4" (451mm)
4" (102mm) AFF**	14" (356mm)	14 3/4" (375mm)
4 1/2" (114mm) AFF	13 1/2" (342mm)	14 1/4" (362mm)
9" (229mm) AFF	9" (229mm)	9 3/4" (248mm)
12" (305mm) AFF	6" (152mm)	6 3/4" (170mm)



Cutout for Bobrick Model B-347, B-3471, B-34715, B-357, B-3571, B-35715

15 1/2" wide x 28 7/8" high (395mm x 735mm)
Drawing Number 1040505

Floor Clearance	H
1" (25mm) AFF*	29 1/8" (740mm)
4" (102mm) AFF**	26 1/8" (664mm)
4 1/2" (114mm) AFF	25 5/8" (651mm)
9" (229mm) AFF	21 1/8" (537mm)
12" (305mm) AFF	18 1/8" (460mm)

Advisory Bulletin



BUILDING VALUE SINCE 1906

Standard Position of Cutouts in Panel for Partition Mounted Accessories

Template: Locating Accessories Cutout Inside the Toilet Partition

Drawing Number _____

Cutout Dimensions (if not Bobrick Model #): _____

